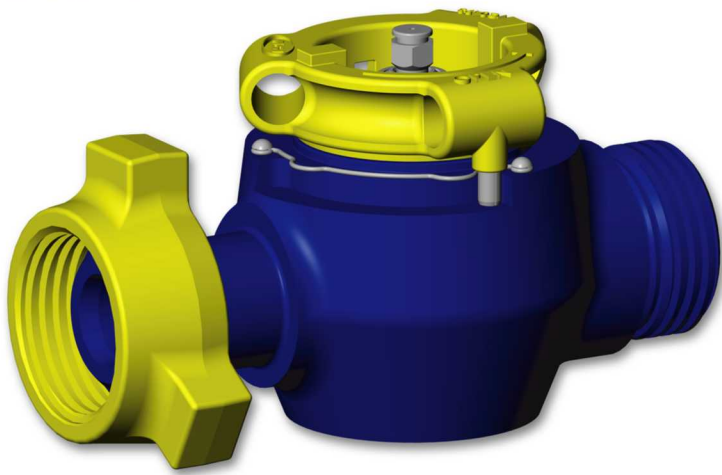


TE Valve



TE
V
a
l
v
e

MSI TE PLUG VALVE

MSI continues to offer quality solutions to the industry. Our new TE (Top Entry) Plug Valve is no exception. We have taken a proven design and added the kind of improvements to performance and quality that you have come to expect from MSI. The MSI TE Plug Valve offers reliable sealing under high pressure for many applications in the oil and gas industry.

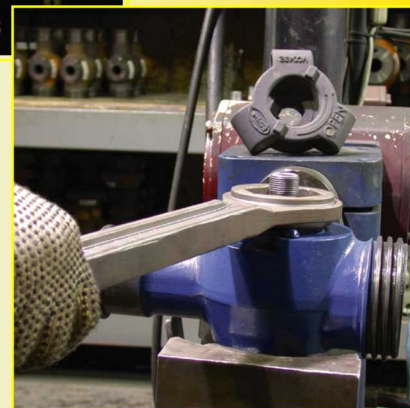
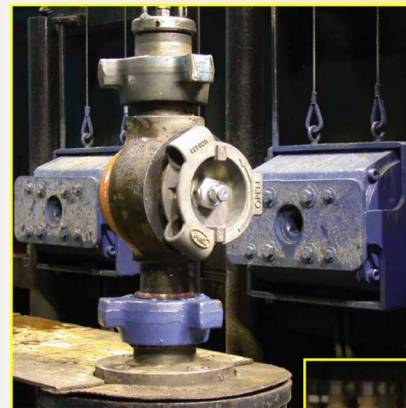
In an effort to always innovate and continue to provide better solutions to the oil and gas industry, MSI will offer the TE valve with more end connections than any other valve manufacturer in the industry.

The MSI TE Plug Valve features:

- Compact design
- Light Weight
- Top Entry
- Longer lasting internals
- Ease of repair
- Interchangeability
- SafeTap grease fitting
- Widest range of end connections in the industry
 - Hammer Union (602, 1002, 1502, 2202)
 - Line Pipe
 - API Flanged
 - Clamp Hub (B20 & others)
 - WingSeal®
 - Tool joint
 - API Flanged x Union
 - Other custom connections and lengths

We will first be offering 1" and 2" Standard and H2S valves and replacement parts. Additional bore sizes to be released at a later date.

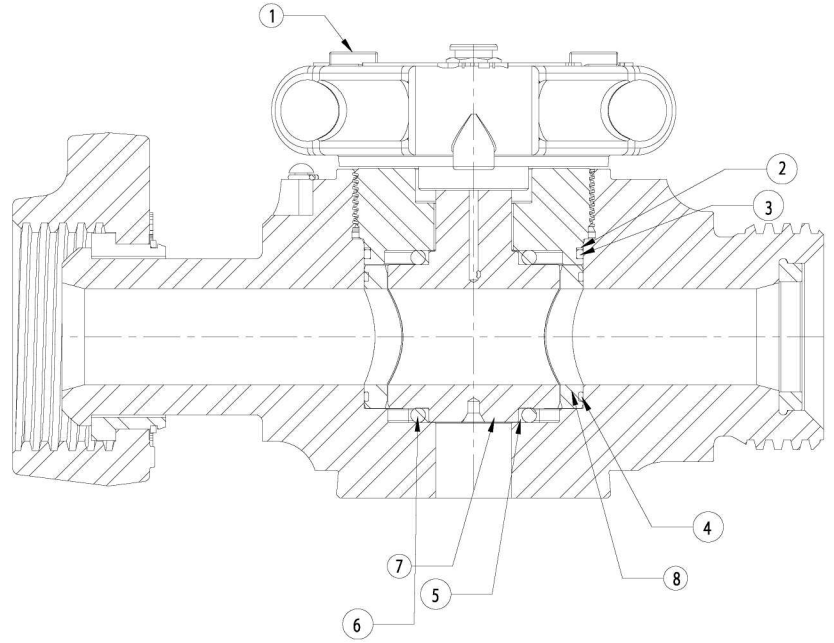
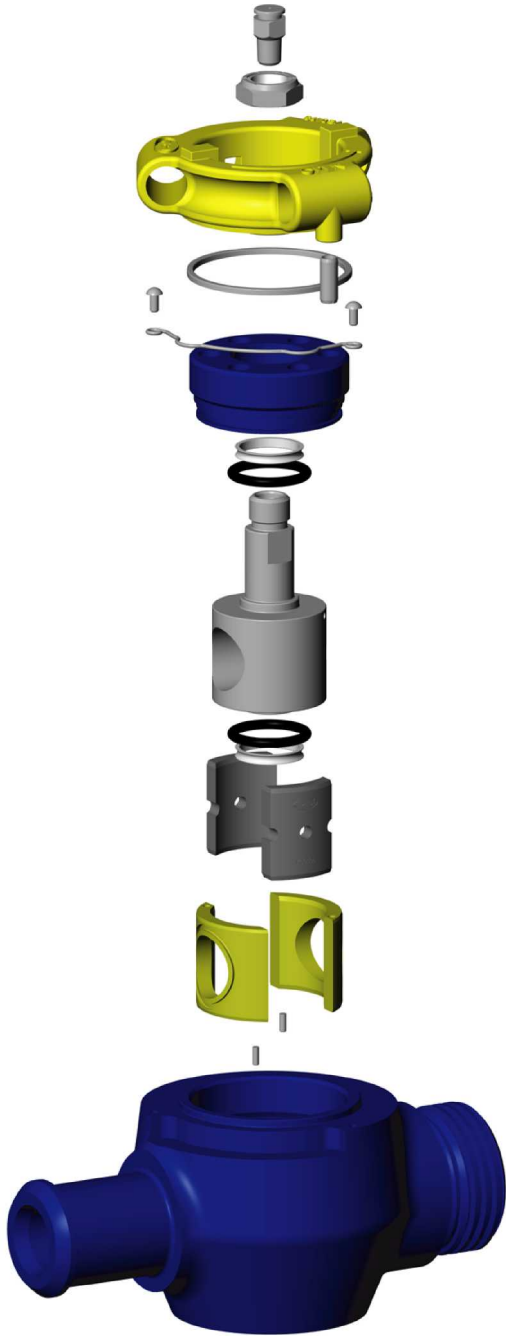
Top Entry



MSI is a division of Dixie Iron Works, Ltd.

300 West Main St, Alice, Texas 78332
ph: 800-242-0059 fax: 361-664-4840
www.diwmsi.com

TE Valve



no.	description	qty	Standard		H2S	
			1"	2"	1"	2"
8	SEGMENT SET	1	VC0501	VC0508	VC0522	VC0524
8	SEGMENT SET (UNIsert)*	1	VC0501U	VC0508U	VC0522U	VC0524U
	SIDE SEGMENTS***	2	VC0502	VC0506	VC0502	VC0506
7	PLUG**	1	VC0500	VC0507	VC0521	VC0523
7	PLUG (GreaSeal)**	1	VC0519	VC0520	VC0531	VC0532
6	PLUG SEAL O-RING	2	OC0087	OC0090	OC0096	OC0099
5	PLUG SEAL SUPPORT RING	2	VC0496	VC0497	VC0496	VC0497
4	SEGMENT O-RING***	2	OC0092	OC0091	OC0100	OC0101
3	BODY CAP O-RING	1	OC0086	OC0088	OC0095	OC0097
2	BODY CAP O-RING BACKUP	1	N/A	OC0089	N/A	OC0098
	HEX NUT	1	HC0197	HC0198	HC0197	HC0198
	DOWEL PIN	2	VC0513	VC0513	VC0513	VC0513
	GREASE FITTING (SafeTap)**	1	HC0226	HC0226	HC0226	HC0226
1	HANDLE ADAPTER	1	VC0492	VC0493	VC0492	VC0493
	FELT GASKET	1	VC0498	VC0499	VC0498	VC0499
	VALVE WRENCH	1	VC0494	VC0495	VC0494	VC0495
	SEAL KIT	1	VA0584	VA0586	VA0614	VA0618
	REPAIR KIT	1	VA0585	VA0587	VA0615	VA0619
	REPAIR KIT (UNIsert)*	1	VA0610	VA0612	VA0616	VA0620
	REPAIR KIT (UNIsert/GreaSeal)*	1	VA0611	VA0613	VA0617	VA0621

Assembled Valve Weights

size	2" 1502	2" Line Pipe
1"	44lbs	28lbs
2"	87lbs	65lbs



represented by

