

F
L
U
I
D
E
N
D

MSI TI-600 Replacement Fluid Ends

MSI is proud to introduce our new replacement fluid ends for the TI-600 triplex well service pump.

MSI fluid ends are designed to be interchangeable with other similar style triplex pumps. They are offered in two design configurations to accommodate various applications.

The larger fluid end is designed to achieve maximum volume output with larger plunger sizes of 3 1/2", 4", and 4 1/2". To achieve the maximum working pressures of today's well service needs, the smaller fluid end is designed with smaller plunger sizes of 2 3/4" and 3".

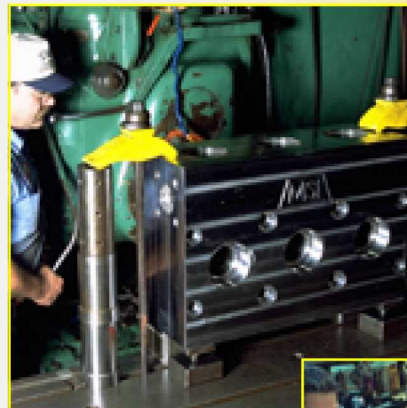
To achieve maximum strength and extended longevity, all MSI fluid ends are manufactured from a one piece 4330 modified forging.

Instead of having to replace the entire fluid end, the plunger nut thread rings are completely replaceable. The fluid ends are also designed so that the entire packing assembly, including the plunger, can be replaced without removing the fluid end from the power frame.

After machining the entire fluid end, both internal and external components are phosphate coated for superior corrosion protection.

The fluid ends are available with completely assembled internal components or as a bare core replacement.

The best feature of all is that MSI fluid ends are manufactured under the same stringent quality procedures that MSI has proudly maintained.

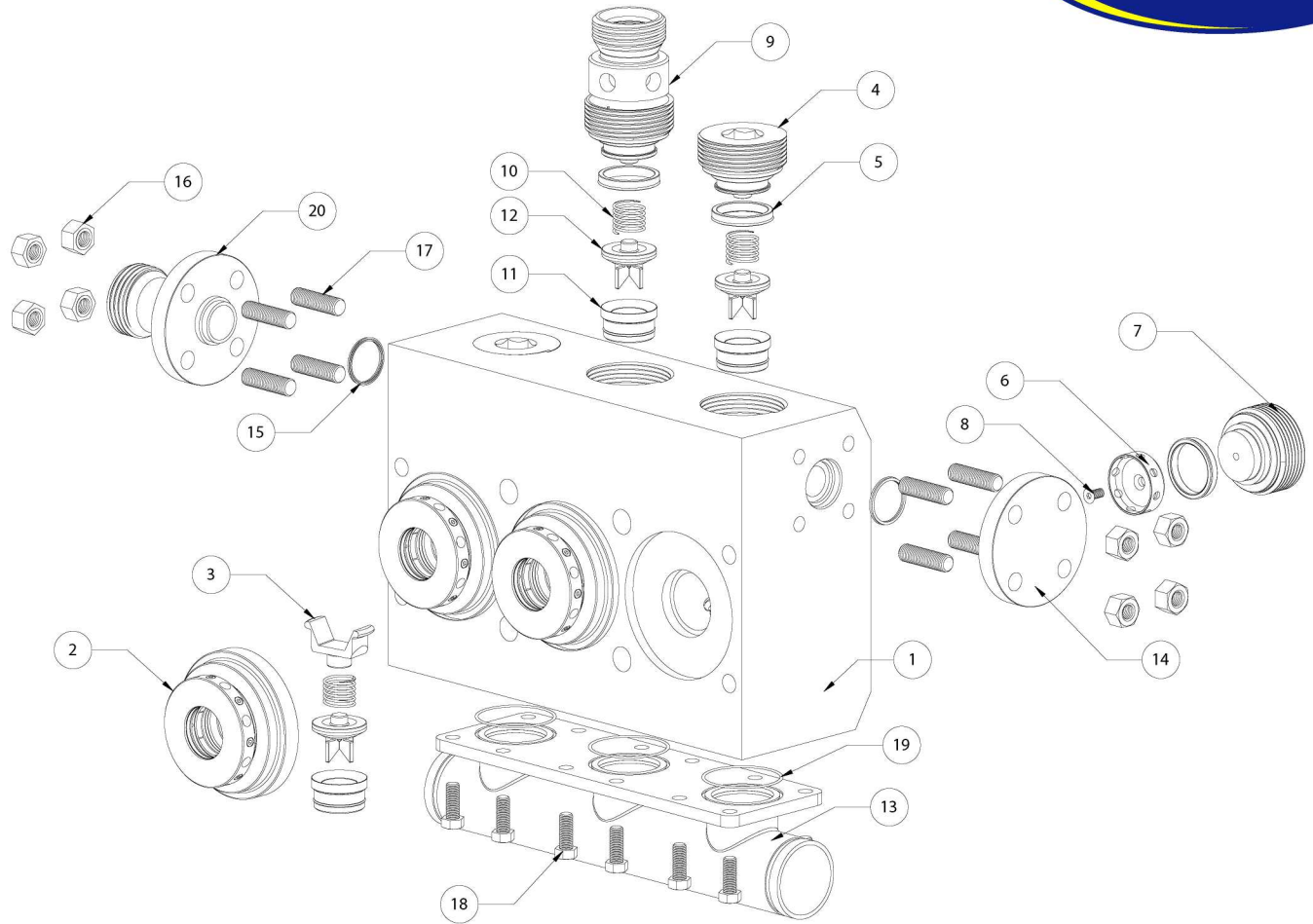


*Pumping quality back
into the Industry*

MSI is a division of Dixie Iron Works, Ltd.

300 West Main St, Alice, Texas 78332
ph: 800-242-0059 fax: 361-664-4840
www.diwmsi.com

Fluid End



FLUID END PARTS LIST

ITEM NO.	QTY.	DESCRIPTION	ITEM NO.	QTY.	DESCRIPTION
1	1	FLUID CYLINDER	11	6	VALVE SEAT
2	3	PACKING PARTS	12	6	VALVE COMPLETE
3	3	VALVE STOP	13	1	SUCTION MANIFOLD, 4" VIC
4	2	DISCHARGE COVER	14	1	DISCHARGE FLANGE, 2" BLANK
5	6	SEAL, SUCTION/DISCHARGE COVER	15	2	SEAL, DISCHARGE FLANGE
6	3	SUCTION COVER	16	8	HEX NUT, 1"-8
7	3	SUCTION COVER CAGE	17	8	STUD, 1"-8 x 3.50" B7
8	3	RECESSED SOC HD, 1/2"-13 x 1.00"	18	12	HEX HD, 3/4"-10 x 2.00"
9	1	GAGE CONNECTION	19	3	O-RING
10	6	VALVE SPRING	20	1	DISCHARGE FLANGE

represented by

