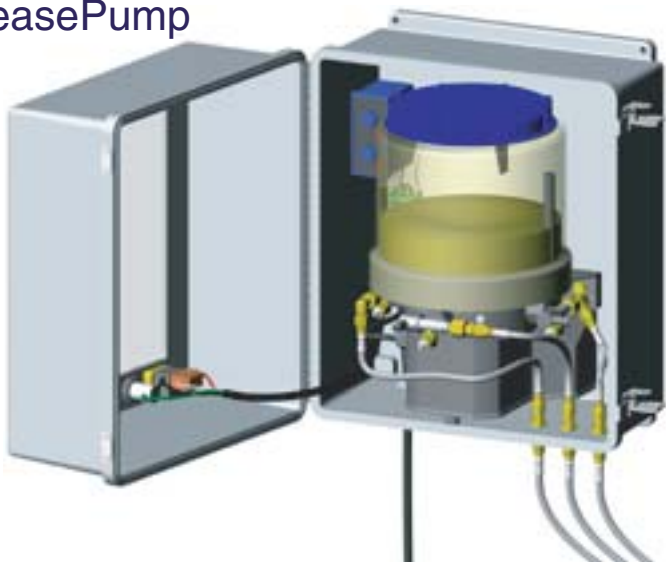


## GreasePump



### MSI Grease Injection System

MSI is proud to introduce our new Grease Injection System. This compact, self contained, positive displacement, 12-volt greasing system was designed to properly lubricate pump plungers during pump operations without relying on gravity and/or personnel.

The system, when properly installed, operates with the engine's 12 volt power supply. Unlike oil lubrication delivery systems, the MSI Grease Injection System distributes grease in equal amounts to each plunger via stainless steel braided hoses, which are individually attached to each packing retainer nut. Each packing retainer nut receives an exact amount of grease that is pumped with an electric positive displacement pump at user-adjustable time intervals. The greasing intervals are set prior to the start of the pump job. This process eliminates the possibility of any one plunger not receiving the proper amount of grease.

The oilfield pumping industry has strongly embraced this concept due to the efficiency of the unit and, more importantly, to the increased life of the packing.

#### Key features of the MSI Grease Injection System:

- Reliable lubrication to each plunger
- Compact
- Light weight
- Personnel can see when grease is low
- 12 volt system easily installed
- Proven improvement for packing life
- Inexpensive

*Dependable, accurate  
lubrication*

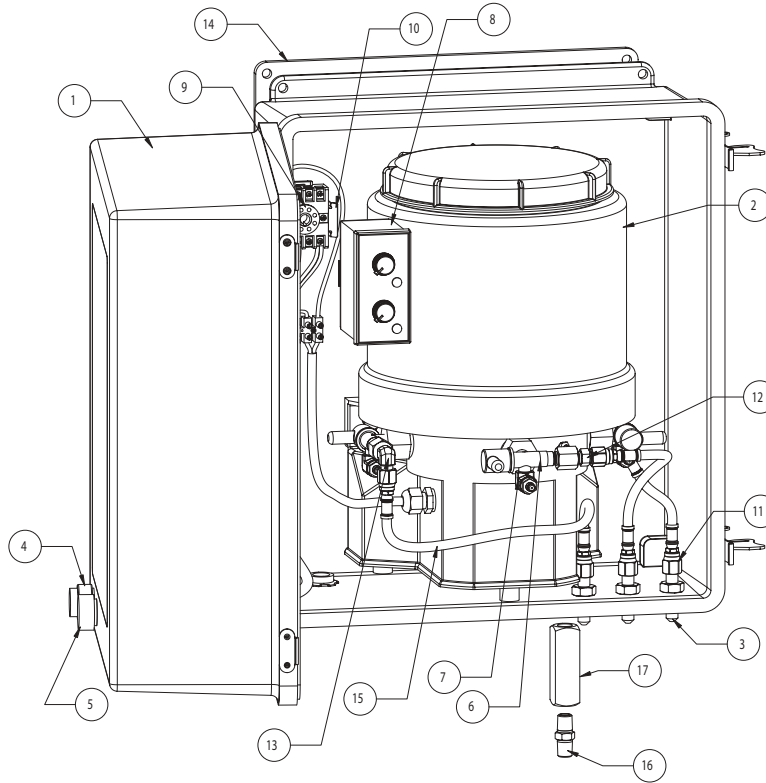


**MSI is a division of Dixie Iron Works, Ltd.**

300 West Main St, Alice, Texas 78332  
ph: 800-242-0059 fax: 361-664-4840  
[www.diwmsi.com](http://www.diwmsi.com)

CONCRETE  
PUMP

# GreasePump



## GreasePump BOM

Item	QTY	PART NO	DESCRIPTION
1	1	GRS0007	FIBERGLASS ENCLOSURE-SPECIAL
2	1	GRS0004	GREASE PUMP
3	3	GRS0008	BULKHEAD FITTING 7/16 JIC
4	1	GRS0001	BUTTON PUSH, RED
5	1	GRS0002	INDICATOR LIGHT, GREEN
6	3	GRS0003	VALVE, SAFETY RELIEF
7	3	EC0063	EL BODY, 1/8"NPT STREET EL (FM)
8	1	GRS0005	TIMER RELAY
9	1	GRS0006	SOCKET
10	2	GRS0009	SERIES 422 HOLD DOWN CLIP
11	6	HF0001	HOSE FITTING, 1/4" x FEM SWIVEL JIC
12	1	HF0003	HOSE ADAPTER, 1/4"JIC X 1/8" PIPE
13	2	HF0004	HOSE ADAPTER, EL 1/4" JIC x 1/8" PIPE
14	1	GRS0010	ALUMINUM MOUNTING PLATE
15	1	HOSE-4	HOSE 1/4" SS BRAIDED
16	1	DC0307	ADPT BDY, 1/4"NPT x 1/4"NPT HEX NIPPLE
17	1	FEC0108	CHECK VALVE, GREASE PLUNGER LUBE

represented by

