

TI-600



### MSI TI-600 WELL SERVICE PUMP

MSI Products is proud to introduce the TI-600 Well Service Pump. The TI-600 is a 600 horsepower triplex pump that comes with many standard features, but its most important feature is the MSI Products commitment to Quality

The new MSI TI-600 Pump is a re-engineered well service pump that includes:

- 16 Position Gear Box for both left and right-hand configurations
- 2 Fluid End options for either high-pressure or high-volume service
- Power Frame designed for added strength and longevity
- Tools, toolbox, drip-pan and the suction manifold are standard items with each pump.
- Plunger Greasing system can be installed and shipped with the pump for an extra charge.
- All external and internal components are phosphate coated for corrosion protection.

Left/Right configuration changes are made easier by the following features in the TI-600:

- Dual lube-pipe system eliminates changes to external lube supply lines.
- Bolt-on feet mean removing and reversing crankshaft is no longer required.
- Top and bottom flange adapters for changing Oil Breather cap and Oil Drain connection

Fluid Ends can be changed to encompass a wide range of high pressure or high volume requirements.

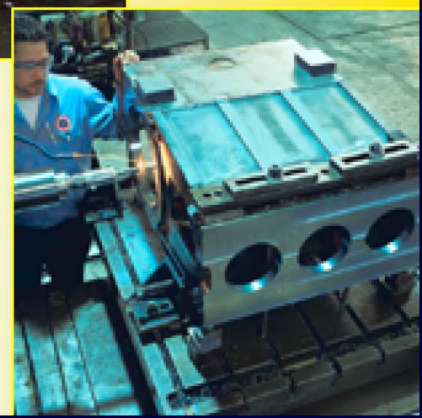
- Small Fluid End accepts 2-3/4 and 3-inch plungers for high pressure service
- Large Fluid End accepts 3-1/2, 4, and 4-1/2 plunger sizes for high volume service

The TI-600 has a footprint of 19 square feet making it ideal for jobs where space is at a premium.

The TI-600 is suited for acidizing, cementing, gravel packing, coil tubing and well stimulation.

All pumps are manufactured under MSI's ISO 9001 quality program established in 1993.

*Pumping quality back  
into the Industry*



TI-600

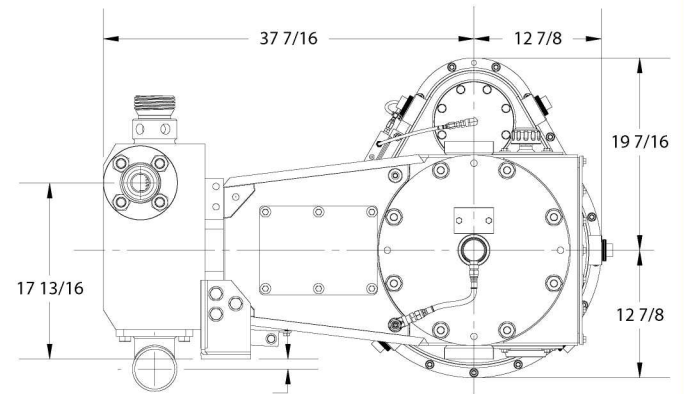
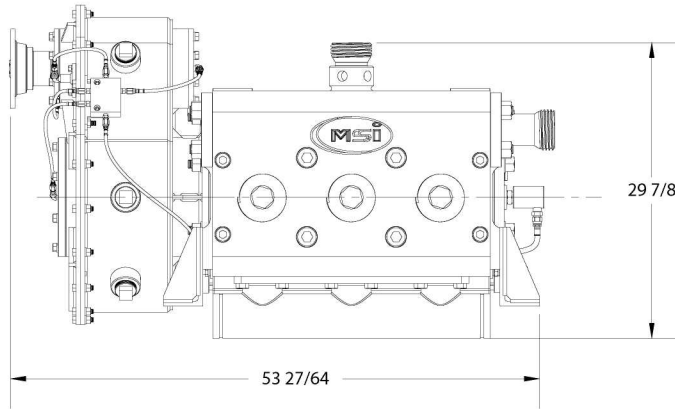
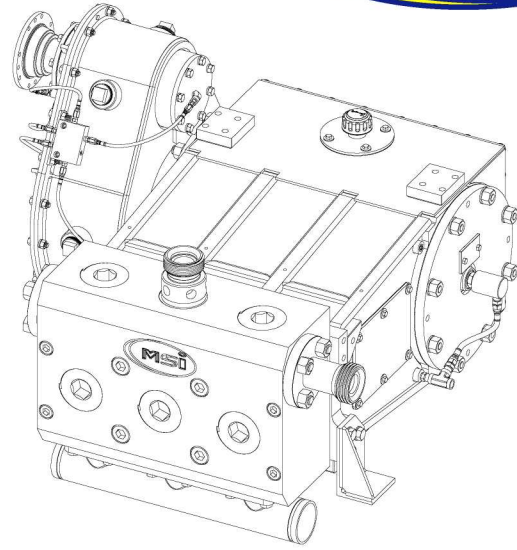
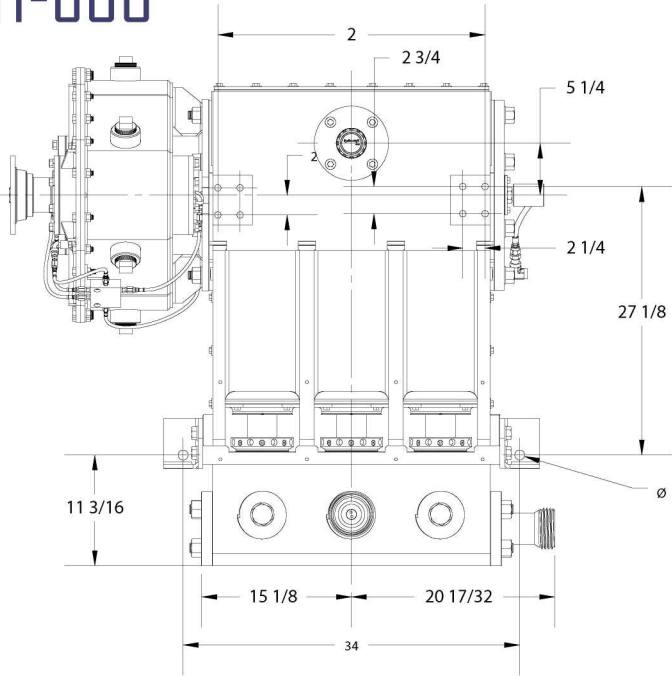
**MSI is a division of Dixie Iron Works, Ltd.**

300 West Main St, Alice, Texas 78332

ph: 800-242-0059 fax: 361-664-4840

www.diwmsi.com

# TI-600



## MSI TI-600 GENERAL SPECIFICATIONS AND PERFORMANCE DATA SHEET

Rated Brake Horse Power	600	Gear Ratio	4.6:1
Maximum Rod Load (lbs)	100,000	Dry Weight	4500
Stroke Length	6		

### Performance Data

PLUNGER DIAMETER		GAL PER REV	DISPLACEMENT AT PUMP RPM (90% MECHANICAL EFFICIENCY)									
			50		100		200		300		450	
IN	MM		GPM	PSI	GPM	PSI	GPM	PSI	GPM	PSI	GPM	PSI
2.75	70	0.46	23	16836	46	16836	93	9999	139	6666	208	4444
3.00	76	0.55	28	14147	55	14147	110	8402	165	5601	248	3734
3.50	89	0.75	37	10394	75	10394	150	6173	225	4115	337	2744
4.00	102	0.98	49	7958	98	7958	196	4726	294	3151	441	2100
4.50	114	1.24	62	6288	124	6288	248	3734	372	2489	558	1660
INPUT POWER		BHP	253		505		600		600		600	
		KW	179		358		447		447		447	

Note: The discharge pressure is limited by the discharge flange. For pressures exceeding 15,000 psi, consult MSI Products for different end connections.

represented by

