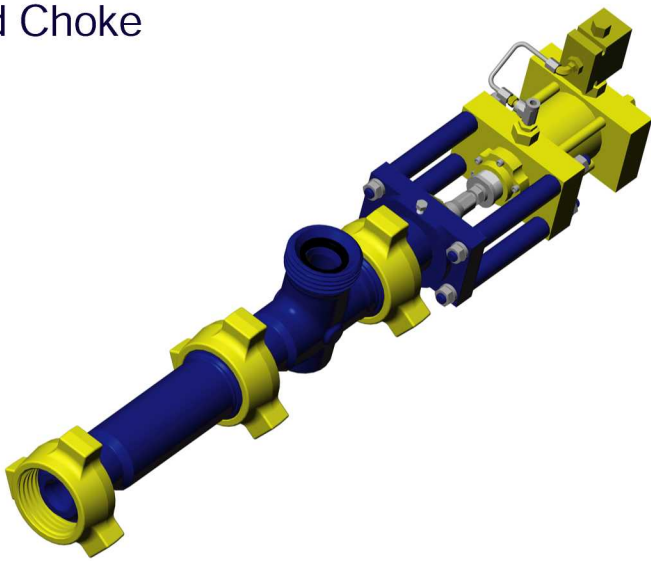


Hyd Choke



Hyd
C
h
o
k
e

MSI Hydraulic Choke

MSI is proud to introduce our latest addition to our adjustable choke line, the MSI Hydraulic Choke. Our new linear stem movement hydraulic choke offers safe, reliable and accurate remote actuation for many applications. The sturdy construction is ideal for oilfield service.

The MSI Hydraulic Choke is used in Frac flowback, Coiled tubing flowback, sand trap dumping systems and anywhere else a hand adjustable choke is commonly used and a safer, remote actuated choke is preferred. In fact, the MSI Hydraulic Choke Bonnet can mount to any existing MSI Choke Tee without any modifications.

The MSI Hydraulic Choke may be operated with your own existing control panel or we can work with you and provide a control system that suits your individual needs. Depending on your requirements, we can provide the Hydraulic Choke with or without a position feed back system.

The MSI Hydraulic Choke offers:

- Safety
- Accuracy
- Reliability
- Ease of operation
- Ease of installation
 - Mounts directly on MSI Choke Tee
 - All styles including 2"1502, 3"1502, WS20, WS30
- Rapid Stem Positioning
- Available for ¾", 1" and 2" max MSI Chokes

The safety aspects of this design are a true advantage. MSI is committed to offering innovative designs that increase the safety factor in the field and the new MSI Hydraulic Choke is another part of that commitment.

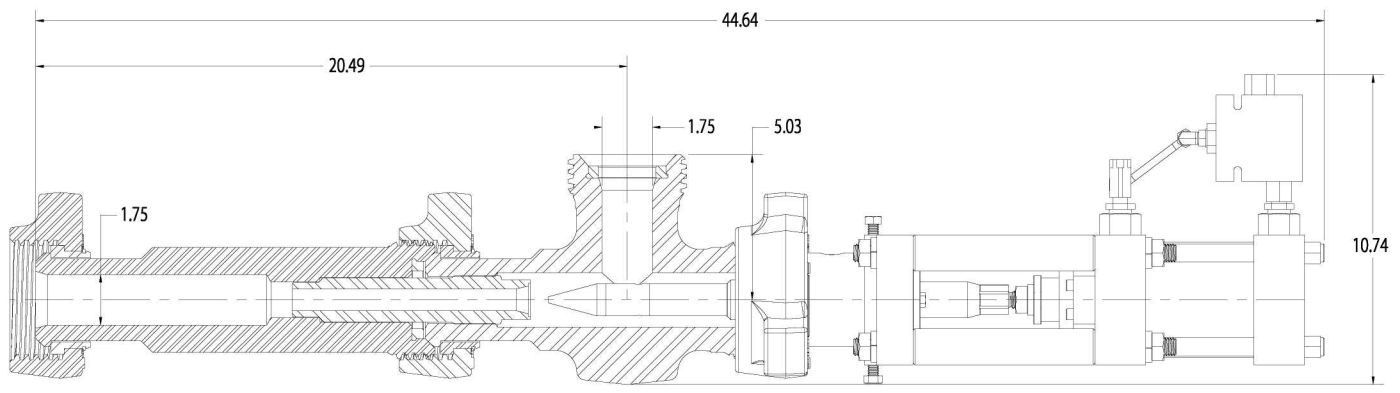


Safe Flow Control

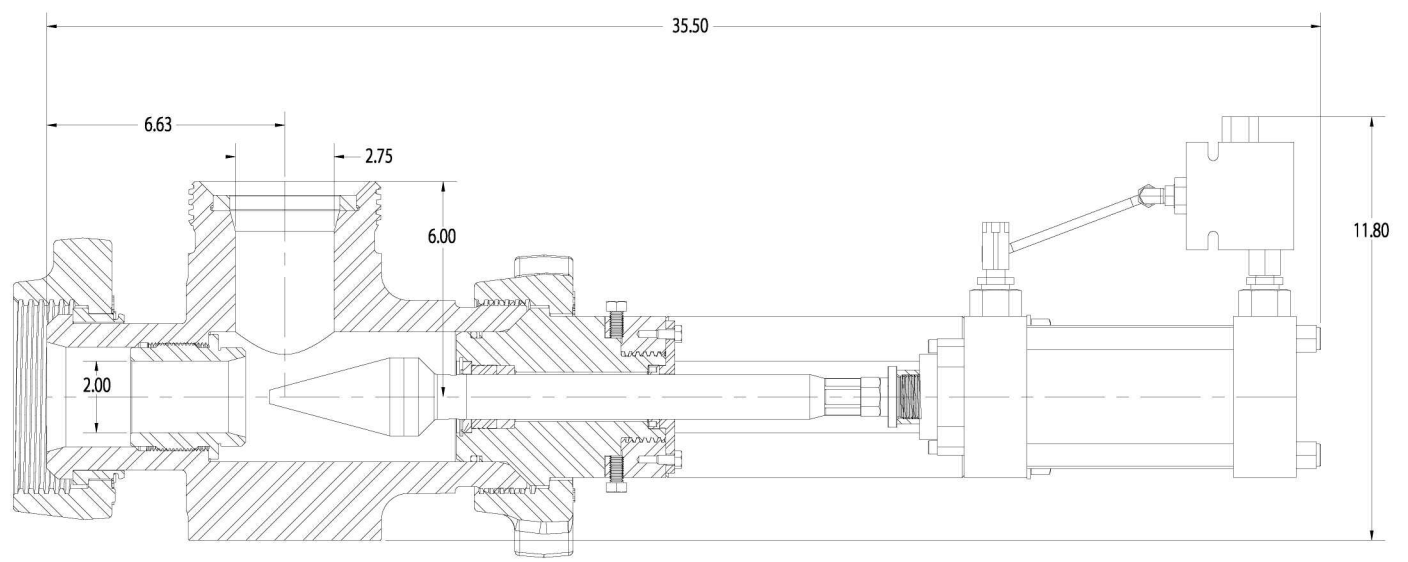
MSI is a division of Dixie Iron Works, Ltd.

300 West Main St, Alice, Texas 78332
ph: 800-242-0059 fax: 361-664-4840
www.diwmsi.com

2" Hydraulic Choke



3" Hydraulic Choke



represented by

