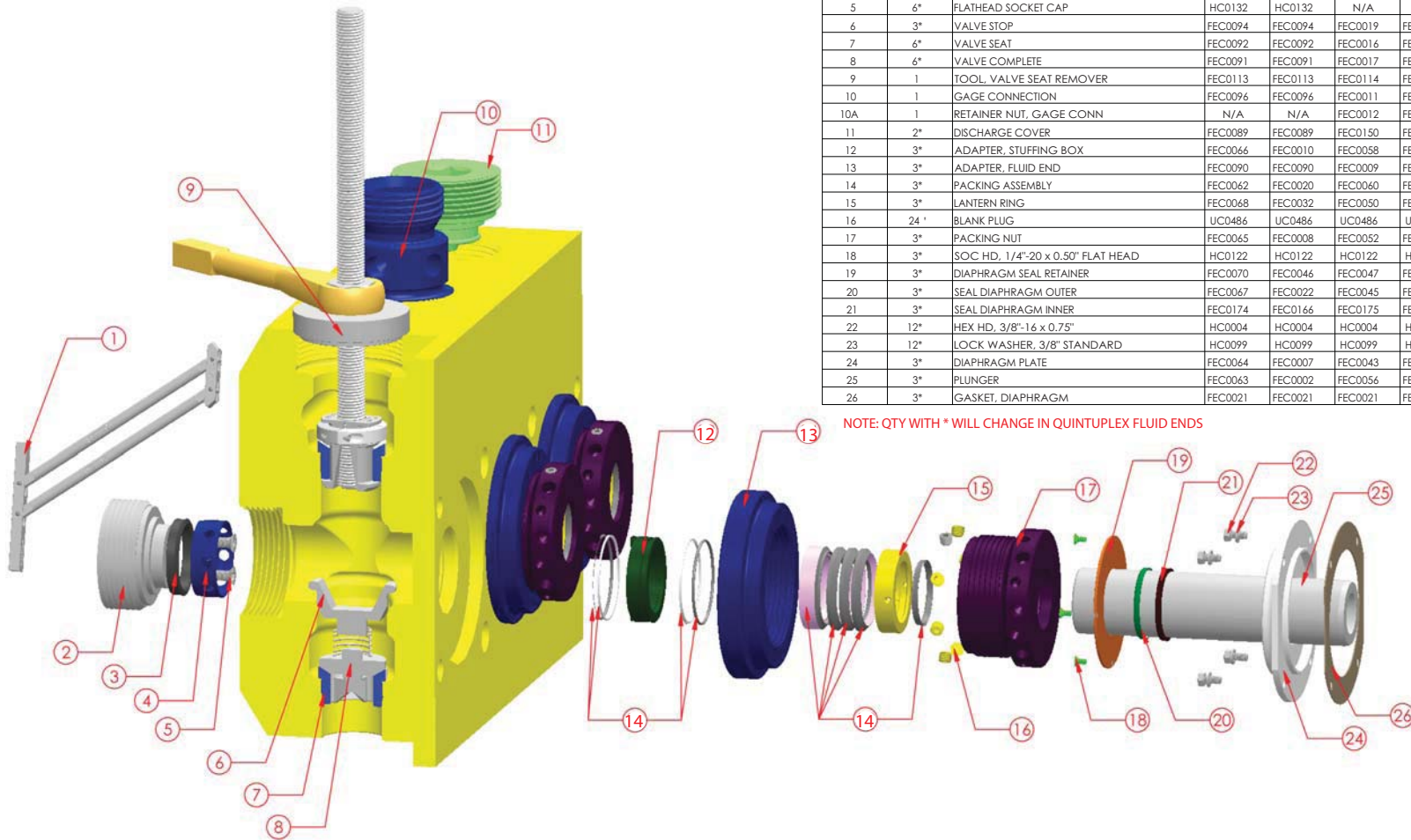




FLUID END COMPONENTS



FLUID END PARTS CROSS OVER			SMALL FLUID END		LARGE FLUID END		
ITEM#	QTY	DESCRIPTION	2.75	3.00	3.50	4.00	4.50
1	1	TOOL, ADAPTER RING RETAINER	FEC0115	FEC0116	FEC0117	FEC0118	FEC0119
2	1	SUCTION COVER	FEC0088	FEC0088	FEC0006	FEC0006	FEC0006
3	6*	SEAL, SUCTION/DISCHARGE COVER	FEC0095	FEC0095	N/A	N/A	N/A
3A	3*	SEAL, SUCTION COVER	N/A	N/A	FEC0013	FEC0013	FEC0013
3B	3*	SEAL, DISCHARGE COVER	N/A	N/A	FEC0015	FEC0015	FEC0015
4	3*	SUCTION COVER CAGE	FEC0097	FEC0097	N/A	N/A	N/A
5	6*	FLATHEAD SOCKET CAP	HC0132	HC0132	N/A	N/A	N/A
6	3*	VALVE STOP	FEC0094	FEC0094	FEC0019	FEC0019	FEC0019
7	6*	VALVE SEAT	FEC0092	FEC0092	FEC0016	FEC0016	FEC0016
8	6*	VALVE COMPLETE	FEC0091	FEC0091	FEC0017	FEC0017	FEC0017
9	1	TOOL, VALVE SEAT REMOVER	FEC0113	FEC0113	FEC0114	FEC0114	FEC0114
10	1	GAGE CONNECTION	FEC0096	FEC0096	FEC0011	FEC0011	FEC0011
10A	1	RETAINER NUT, GAGE CONN	N/A	N/A	FEC0012	FEC0012	FEC0012
11	2*	DISCHARGE COVER	FEC0089	FEC0089	FEC0150	FEC0150	FEC0150
12	3*	ADAPTER, STUFFING BOX	FEC0066	FEC0010	FEC0058	FEC0059	FEC0036
13	3*	ADAPTER, FLUID END	FEC0090	FEC0090	FEC0009	FEC0009	FEC0009
14	3*	PACKING ASSEMBLY	FEC0062	FEC0020	FEC0060	FEC0061	FEC0034
15	3*	LANTERN RING	FEC0068	FEC0032	FEC0050	FEC0051	FEC0039
16	24 *	BLANK PLUG	UC0486	UC0486	UC0486	UC0486	UC0486
17	3*	PACKING NUT	FEC0065	FEC0008	FEC0052	FEC0053	FEC0037
18	3*	SOC HD, 1/4"-20 x 0.50" FLAT HEAD	HC0122	HC0122	HC0122	HC0122	HC0122
19	3*	DIAPHRAGM SEAL RETAINER	FEC0070	FEC0046	FEC0047	FEC0048	FEC0049
20	3*	SEAL DIAPHRAGM OUTER	FEC0067	FEC0022	FEC0045	FEC0044	FEC0041
21	3*	SEAL DIAPHRAGM INNER	FEC0174	FEC0166	FEC0175	FEC0176	FEC0177
22	12*	HEX HD, 3/8"-16 x 0.75"	HC0004	HC0004	HC0004	HC0004	HC0004
23	12*	LOCK WASHER, 3/8" STANDARD	HC0099	HC0099	HC0099	HC0099	HC0099
24	3*	DIAPHRAGM PLATE	FEC0064	FEC0007	FEC0043	FEC0042	FEC0035
25	3*	PLUNGER	FEC0063	FEC0002	FEC0056	FEC0057	FEC0038
26	3*	GASKET, DIAPHRAGM	FEC0021	FEC0021	FEC0021	FEC0021	FEC0021

NOTE: QTY WITH * WILL CHANGE IN QUINTUPLEX FLUID ENDS

www.diwmsi.com



MSI is a division of Dixie Iron Works, Ltd.

ph : 800.242.0059
 ph : 361.664.6597
 fax : 361.664.4840
 300 West Main St.
 Alice, TX 78332