



HYDRAULIC ACTUATOR CONVERSION

DAMCOS ACTUATOR COMPARISON

MSI will now start phasing out its current style hydraulic actuators. These will be replaced with their respective equivalent new style actuators. Danfoss Marine changed ownership in 2003 and their new owners renamed the company Damcos. Since acquiring ownership the design of the actuators has changed but its operation remains the same. The result of this redesign is that they will slowly phase out making the Danfoss style actuators altogether. We have already started to notice this with much longer lead times in receiving orders for the old style actuators. This guide was created to ease the transition from the Danfoss to the Damcos actuators. **NOTE: Despite the changes, the actuator mounting pattern on top of the valves will remain the same.** Therefore valves originally equipped with the old style can easily be upgraded to the new style as needed. Any questions on compatibility call with the valve assembly part number and we can cross reference it.

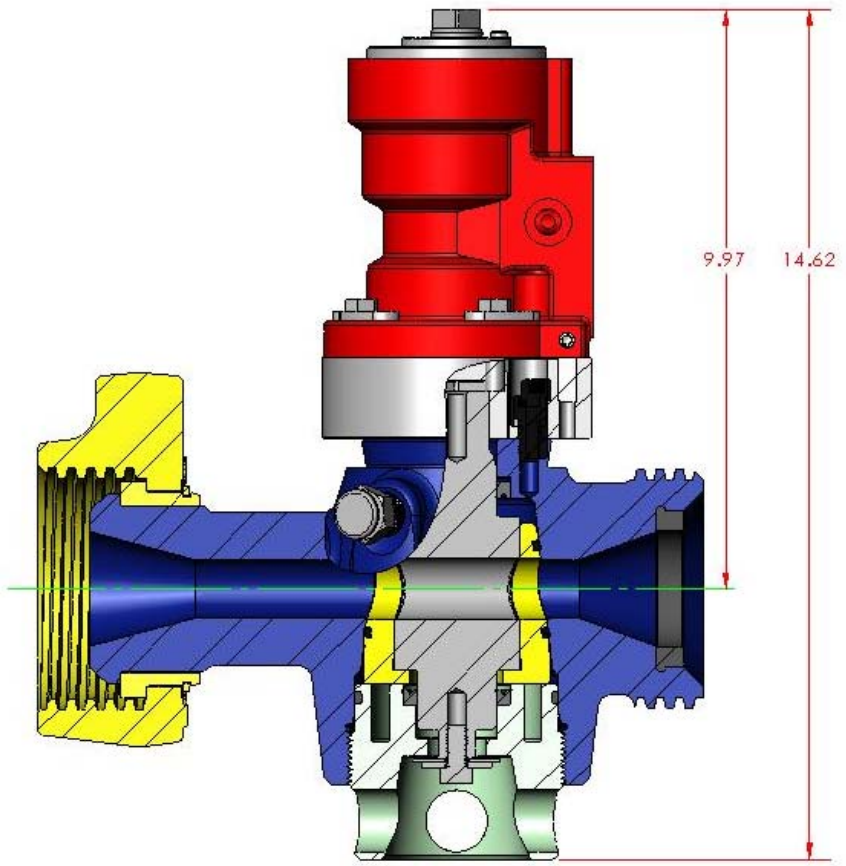
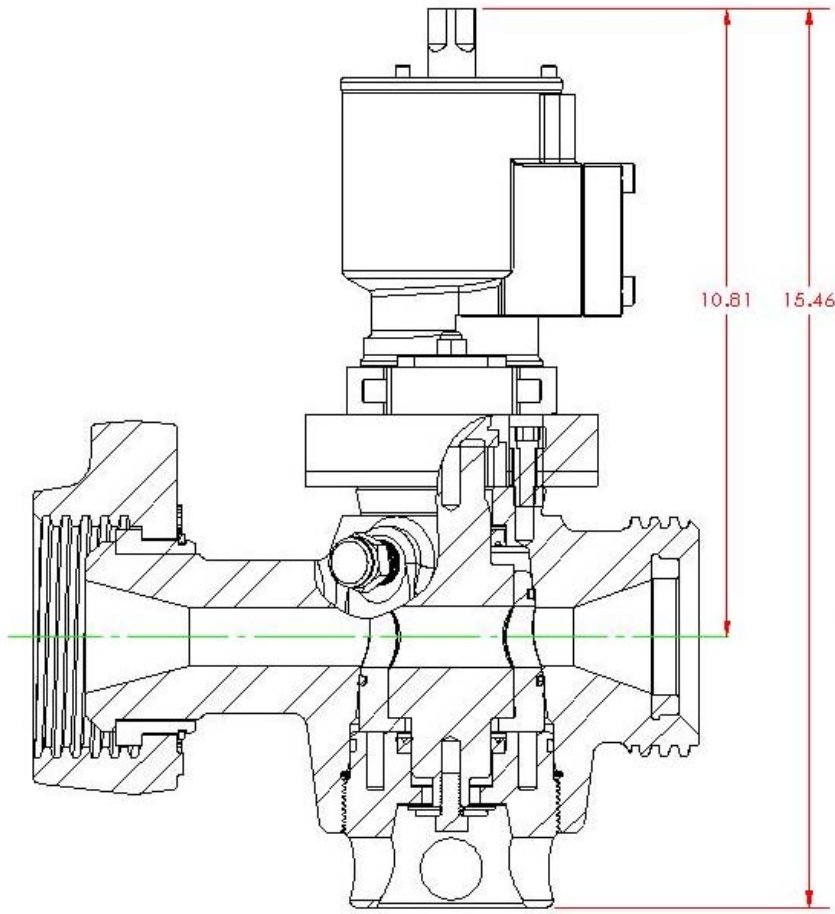
CONVERSION TABLE FROM OLD TO NEW STYLE

Original Style Actuator		New Style Actuator	
MSI part number	Model type	MSI part number	Model type
AA0002	BRC002	AA0060	BRC250
AA0001	BRC012	AA0062	BRC1000
AA0004	BRC022	AA0063	BRC2000
AA0017	BRC032	AA0064	BRC4000
AA0045	BRC052	AA0065	BRC8000

COMPARISON OF 1" X 2" 1502 VALVE ASSEMBLY WITH NEW AND OLD STYLE ACTUATORS

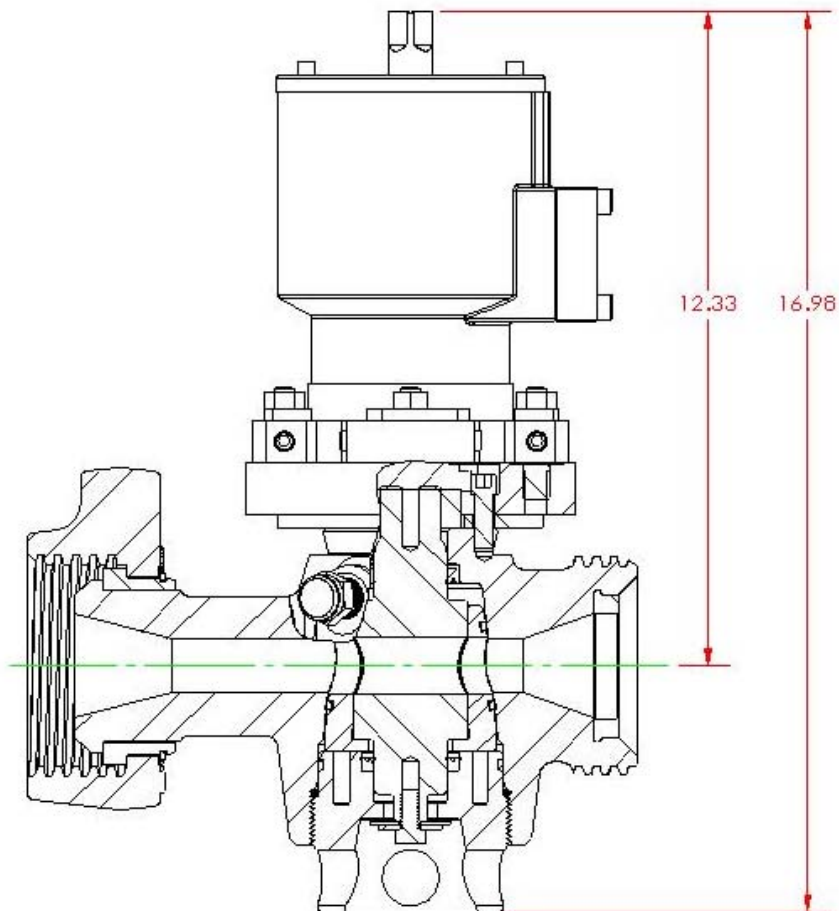
OLD STYLE BRC002

NEW STYLE BRC250

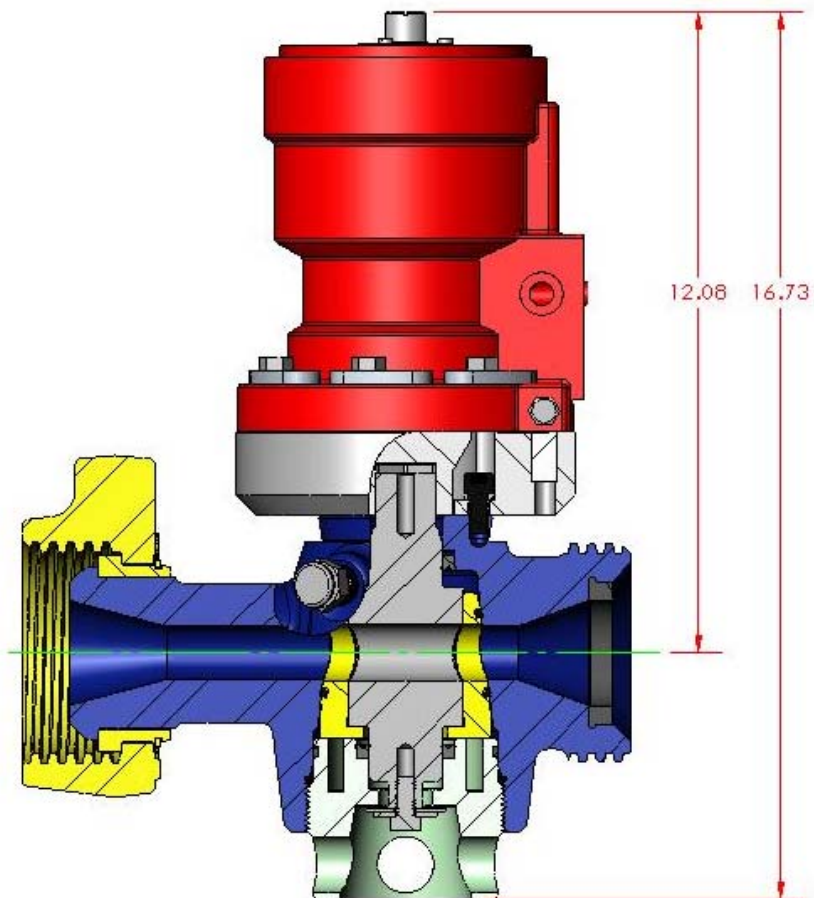


COMPARISON OF 1" X 2" 1502 VALVE ASSEMBLY WITH NEW AND OLD STYLE ACTUATORS

OLD STYLE BRC012



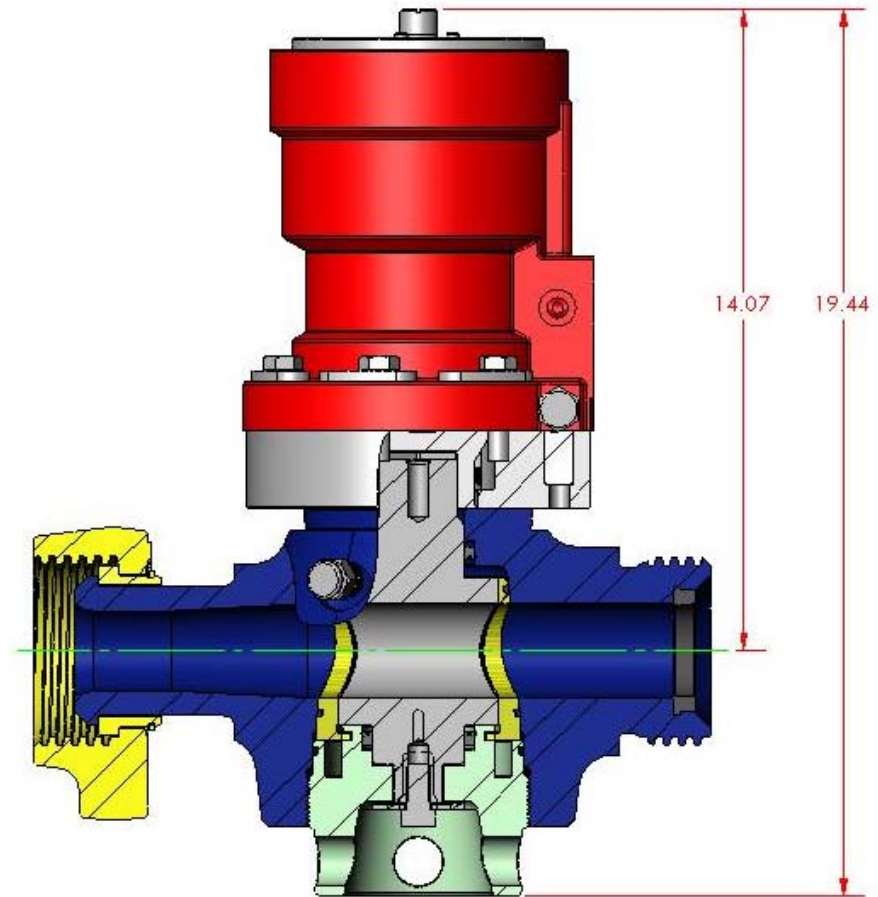
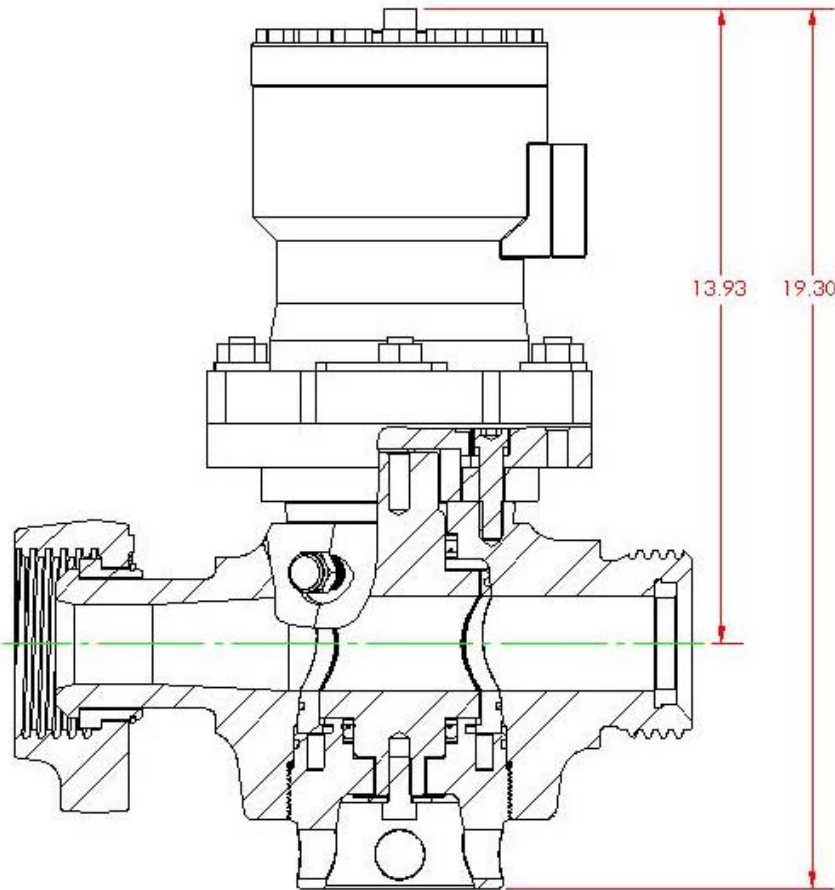
NEW STYLE BRC1000



COMPARISON OF 2" X 2" 1502 VALVE ASSEMBLY WITH NEW AND OLD STYLE ACTUATORS

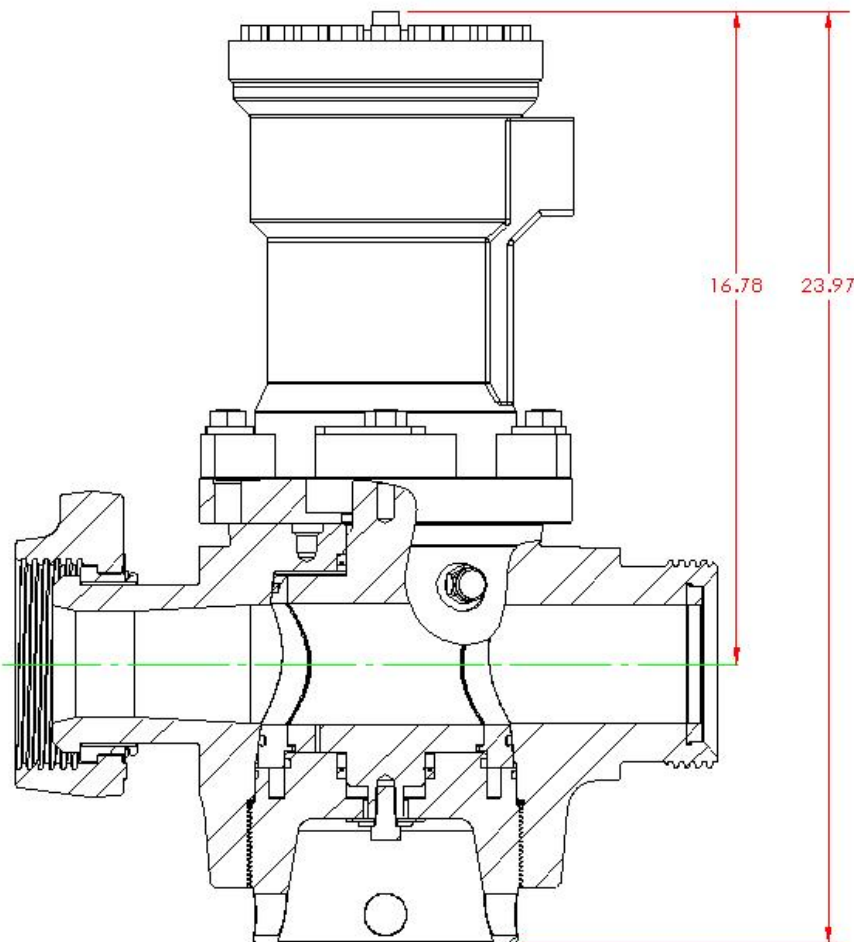
OLD STYLE BRC022

NEW STYLE BRC2000



COMPARISON OF 3" X 3" 1502 VALVE ASSEMBLY WITH NEW AND OLD STYLE ACTUATORS

OLD STYLE BRC032



NEW STYLE BRC4000

