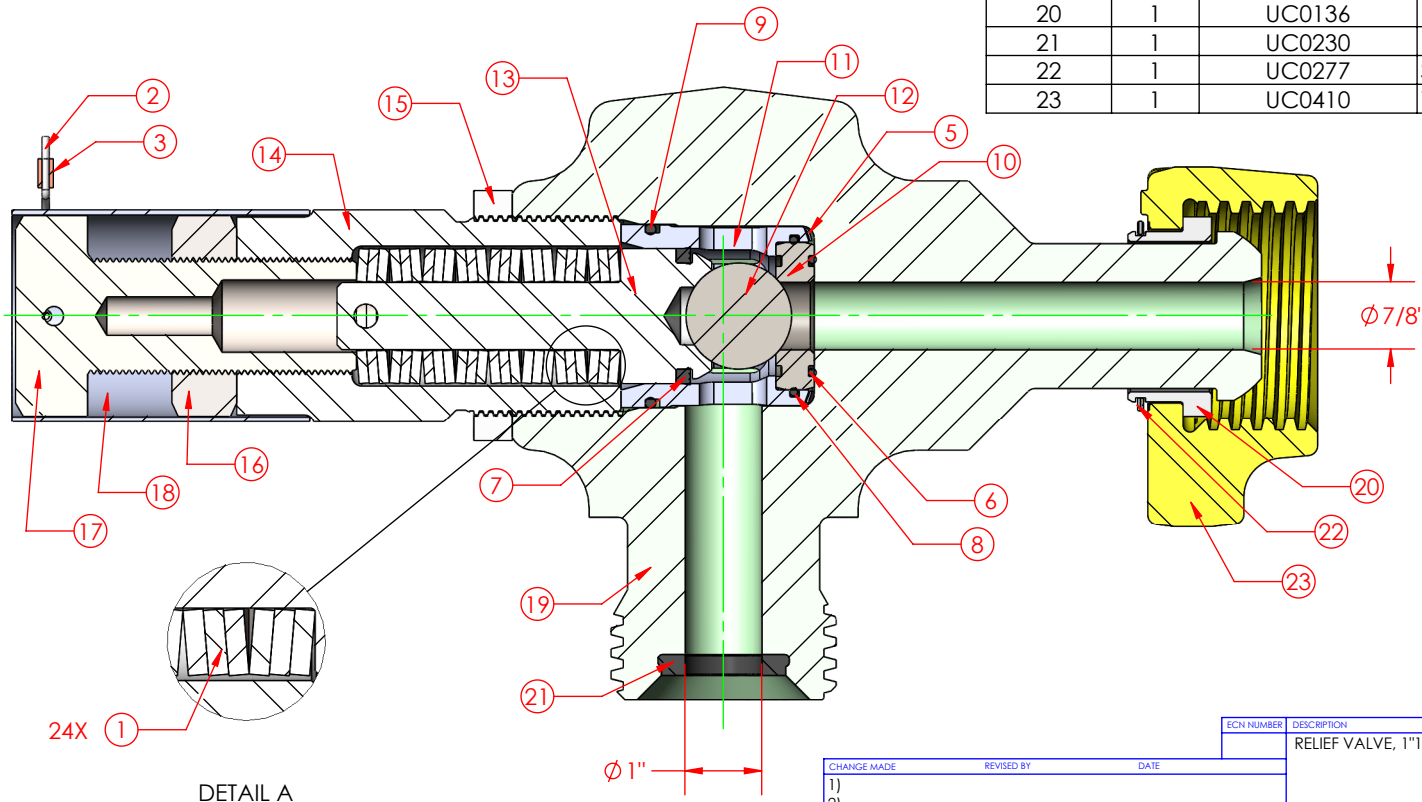


ITEM NO.	QTY.	PART NUMBER	DESCRIPTION
1	24	HC0852	SPRING, BELLEVILLE, 1.75 X 0.88 X 0.131
2	1	HC0914	WIRE ROPE, PRESSURE SETTING TAG
3	1	HC0915	COMPRESSION SLEEVE, WIRE ROPE
4	1	HC0916	TAG, PRESSURE SETTING
5	1	HC0923	SPRING, SINGLE TURN WAVE, 2.25 X 1.93 X 38#
6	1	OC0186	O-RING, (2-126 HNBR)
7	1	OC0187	RV PLUNGER SEAL, 2" H2S (HNBR)
8	1	OC0188	O-RING, (2-134 HNBR)
9	1	OC0189	O-RING, (2-227 HNBR)
10	1	RVC0002	RV SEAT, 1-3/8" BALL
11	1	RVC0003	RV CAGE, 2"
12	1	RVC0004	RV BALL, 1-3/8" DIAMETER
13	1	RVC0005	RV PLUNGER, 2"
14	1	RVC0006	RV BONNET, 2"
15	1	RVC0007	RV BONNET, JAM NUT, 2"
16	1	RVC0008	RV LOCK NUT, ADJUSTMENT SCREW, 2"
17	1	RVC0009	RV ADJUSTMENT SCREW, 2"
18	1	RVC0010	RV LOCK AND TAG SLEEVE, 2"
19	1	RVC0013	RV BODY, 1"1502 FM H2S 10M
20	1	UC0136	NUT RETAINER SET, 1"1502
21	1	UC0230	RESILIENT SEAL, 1" UNION H2S (HSN)
22	1	UC0277	SPIRAL RETAINER RING, 1"1502
23	1	UC0410	WINGNUT, 1"1502 H2S



E/CN NUMBER		DESCRIPTION	
		RELIEF VALVE, 1"1502 FM H2S 10M	
WORKING PRESSURE:	TEMPERATURE CLASS:	DRAWN BY:	
10,000 PSI	LU	RSE	
RETAINED FLUIDS:	PR LEVEL:	DATE:	
EE-0.5	1	03/17/2015	
WEIGHT:	SHEET:	PART NUMBER:	REV:
41 lbs.	SHEET 1 OF 1	RVA0004	0

MSI
 300 WEST MAIN ST.
 ALICE, TX 78332
 www.diwmsi.com
 800.242.0059
MSI IS A DIVISION OF DIXIE IRON WORKS, LTD.

CHANGE MADE	REVISED BY	DATE
1)		
2)		
3)		
4)		
5)		
6)		
7)		
8)		

THIS DRAWING IS THE PROPERTY OF DIXIE IRON WORKS, LTD. THE BORROWER AGREES BY RECEIVING THE DRAWING TO RETURN IT UPON REQUEST AND TO NEITHER REPRODUCE COPY OR FURNISH INFORMATION FROM IT TO OTHERS WITHOUT EXPRESSED WRITTEN PERMISSION OF DIXIE IRON WORKS, LTD. ALL ARTICLES MANUFACTURED IN ACCORDANCE WITH THIS DRAWING SHALL BE CONSIDERED DESIGNS OF DIXIE IRON WORKS, LTD. AND MAY NOT BE USED OR SOLD WITHOUT DIXIE IRON WORKS, LTD. WRITTEN PERMISSION.