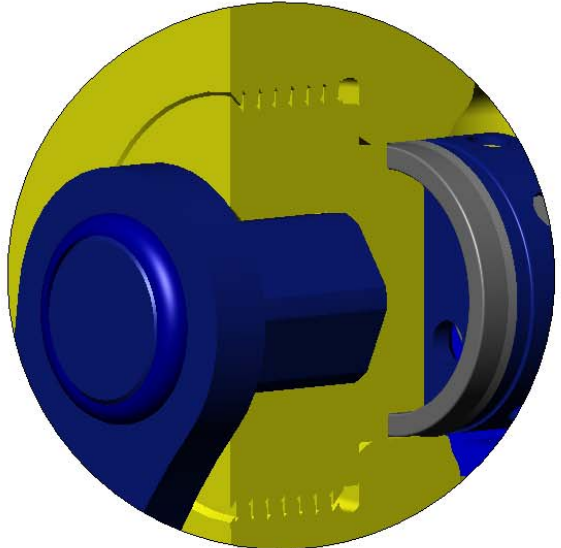



FLUID END TOOL IN USE			SMALL FLUID END		LARGE FLUID END		
ITEM#	QTY	DESCRIPTION	2.75	3.00	3.50	4.00	4.50
1	1	TOOL, VALVE COVER REMOVER	FEC0024	FEC0024	FEC0024	FEC0024	FEC0024
2	1	TOOL, PLUNGER	FEC0023	FEC0023	FEC0023	FEC0023	FEC0023
3	1	TOOL, PACKING NUT	FEC0027	FEC0027	FEC0027	FEC0027	FEC0027
4	1	TOOL, ADAPTER RING RETAINER	FEC0115	FEC0116	FEC0117	FEC0118	FEC0119
5	1	TOOL, VALVE SEAT REMOVER	FEC0113	FEC0113	FEC0114	FEC0114	FEC0114

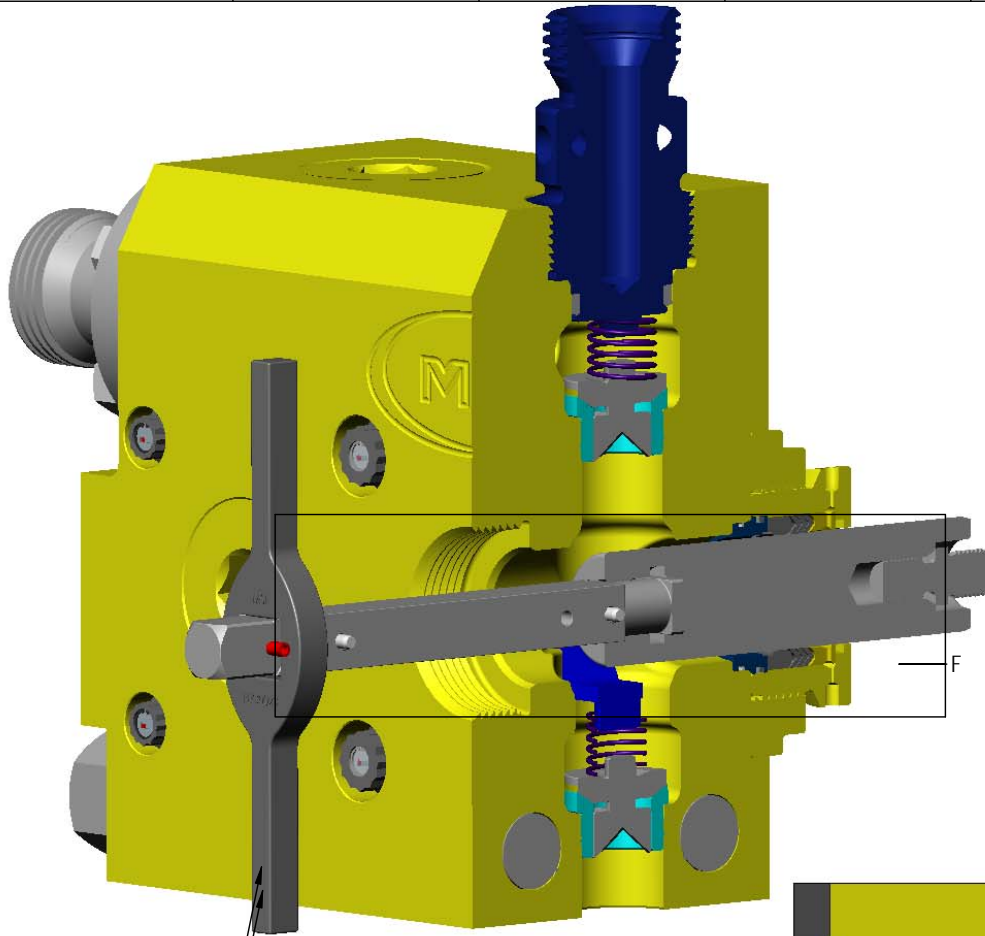
USE TOOL, VALVE COVER REMOVER FOR REMOVAL AND ASSEMBLY OF SUCTION COVERS

①

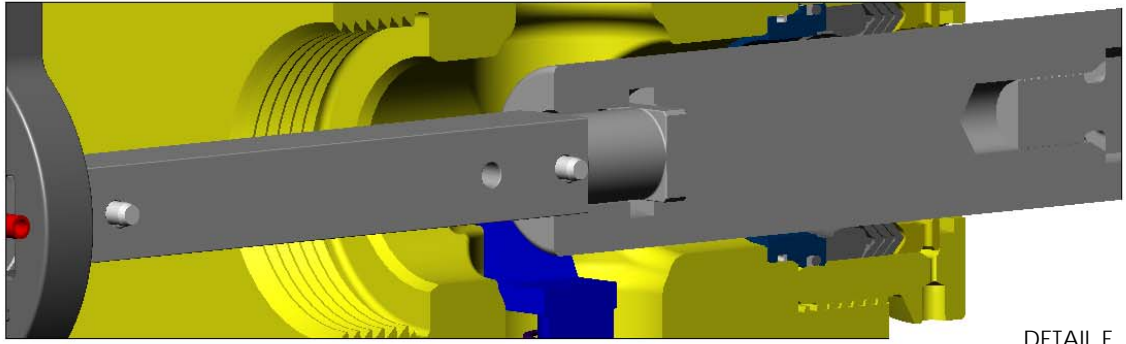


DETAIL D


DESCRIPTION TOOL, VALVE COVER REMOVER		 300 West Main Street Alice, TX 78332 www.diwmsi.com 800.242.0059 <small>MSI is a division of Dine Iron Works, Ltd</small>
MATERIAL/ HEAT TREAT/ WELD PROCEDURE	DRAWN BY RMR	
WEIGHT	DATE 02/23/2009	
SHEET SHEET 1 OF 5	PART NUMBER TOOLS IN USE	REV 0

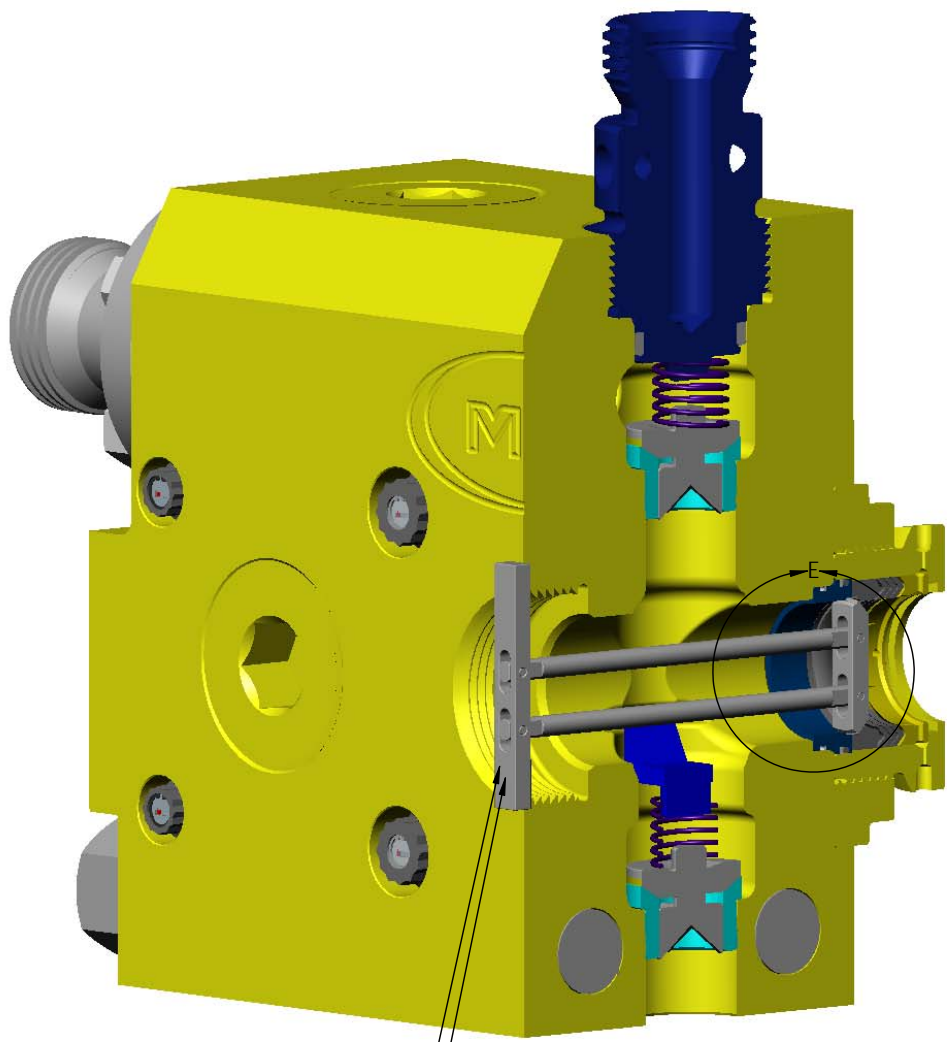


② USE TOOL, PLUNGER FOR REMOVE AND ASSEMBLY OF PLUNGER

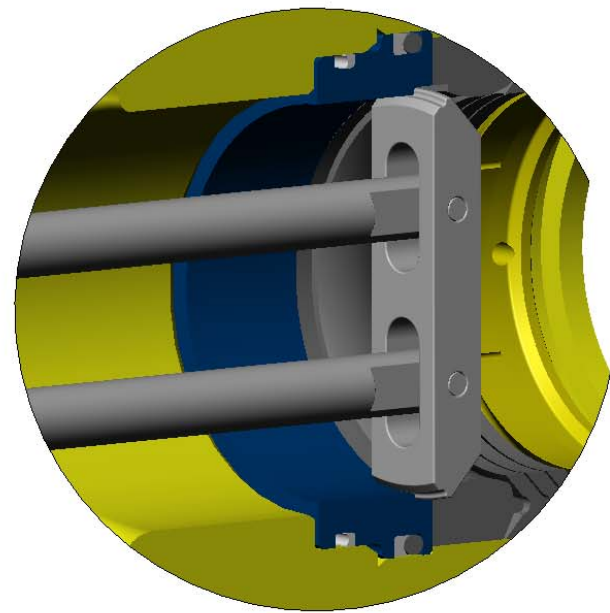


DETAIL F


DESCRIPTION TOOL, PLUNGER		 300 West Main Street Alice, TX 78332 www.diwmsi.com 800.242.0059 <small>MSI is a division of Dine Iron Works, Ltd</small>	
MATERIAL/ HEAT TREAT/ WELD PROCEDURE			DRAWN BY RMR
WEIGHT			DATE 02/23/2009
SHEET SHEET 2 OF 5	PART NUMBER TOOLS IN USE	REV 0	



④ USE TOOL, ADAPTER RING RETAINER TO HOLD STUFFING BOX IN PLACE

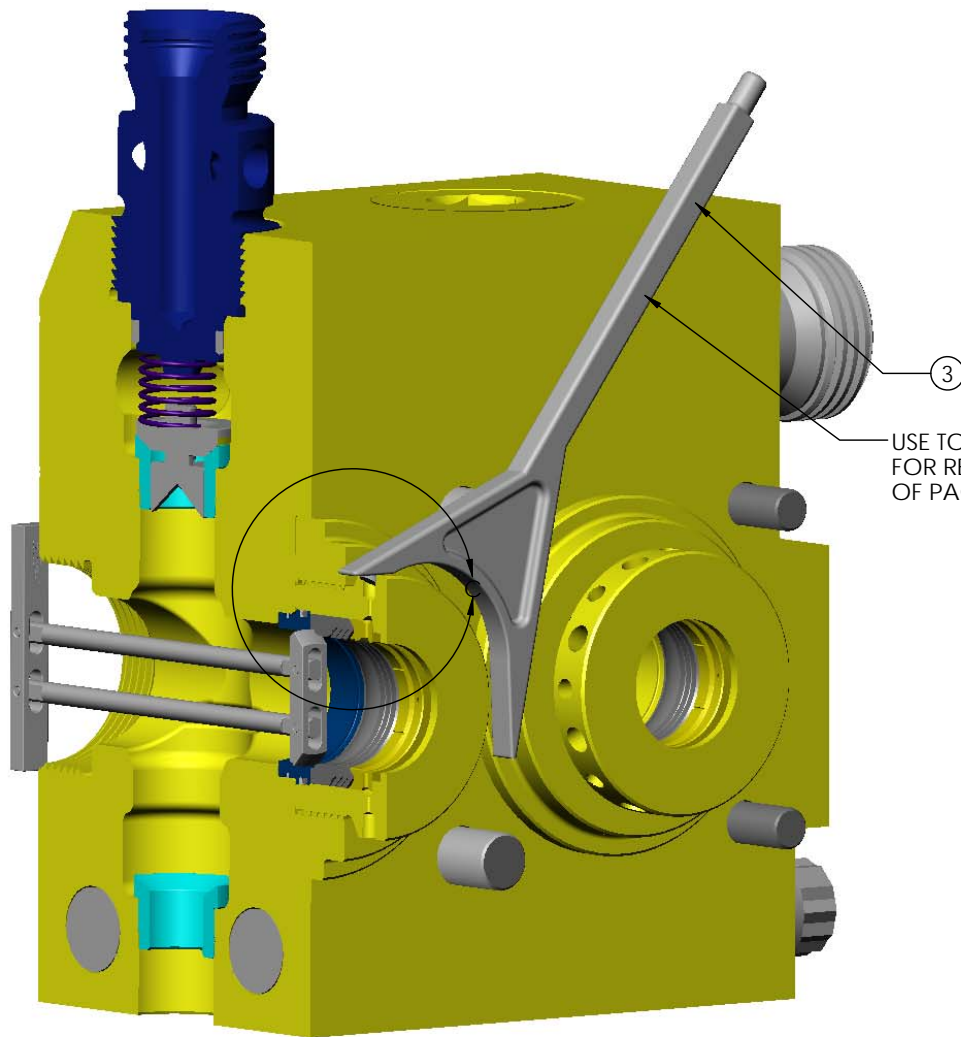


DETAIL E

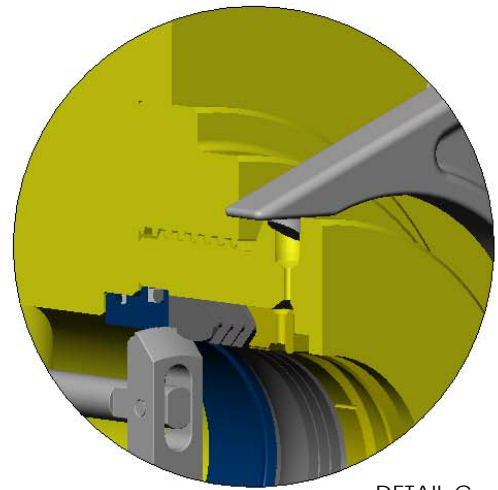
DESCRIPTION TOOL, ADAPTER RING RETAINER		 300 West Main Street Alice, TX 78332 www.diwmsi.com 800.242.0059 <small>MSI is a division of Dine Iron Works, Ltd</small>	
MATERIAL/ HEAT TREAT/ WELD PROCEDURE	DRAWN BY RMR		
	DATE 11/10/05		
WEIGHT	SHEET SHEET 3 OF 5	PART NUMBER FEA0001X	REV 0

	1	2	3	4	5	6	7	8
--	---	---	---	---	---	---	---	---


A  
B  
C  
D  
E  
F  
G

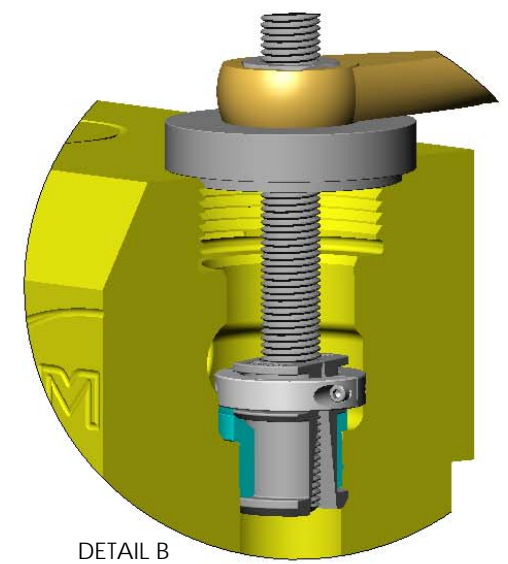
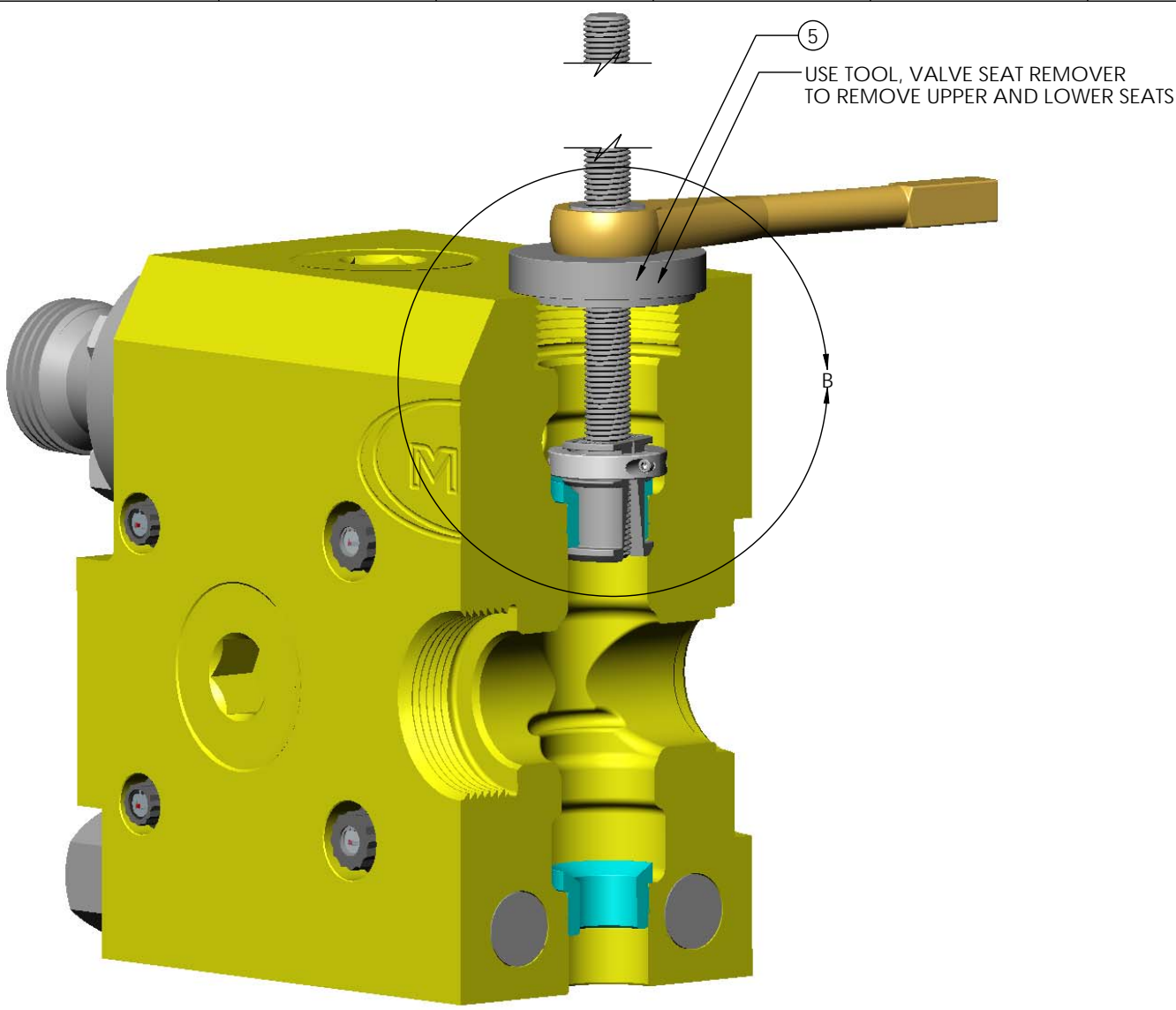



USE TOOL PART, PACKING NUT WRENCH FOR REMOVE AND ASSEMBLY OF PACKING NUT



DETAIL C

DESCRIPTION TOOL PART, PACKING NUT WRENCH		 300 West Main Street Alice, TX 78332 <a href="http://www.diwmsi.com">www.diwmsi.com</a> 800.242.0059 <small>MSI is a division of Dine Iron Works, Ltd</small>
MATERIAL/ HEAT TREAT/ WELD PROCEDURE	DRAWN BY RMR	
	DATE 02/23/2009	
WEIGHT	SHEET SHEET 4 OF 5	PART NUMBER TOOLS IN USE
		REV



DESCRIPTION TOOL, VALVE SEAT REMOVER		 300 West Main Street Alice, TX 78332 www.diwmsi.com 800.242.0059 <small>MSI is a division of Dixon Iron Works, Ltd</small>
MATERIAL/ HEAT TREAT/ WELD PROCEDURE	DRAWN BY RMR	
WEIGHT	DATE 02/23/2009	
SHEET SHEET 5 OF 5	PART NUMBER TOOLS IN USE	REV 0