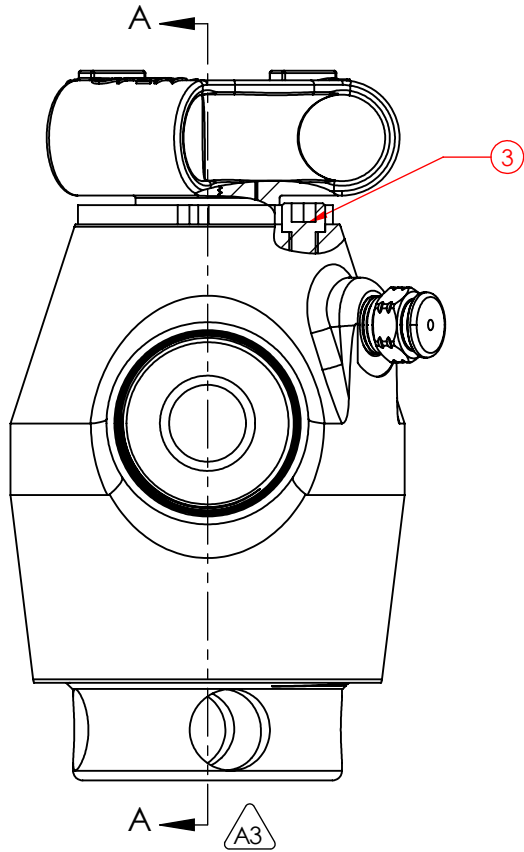
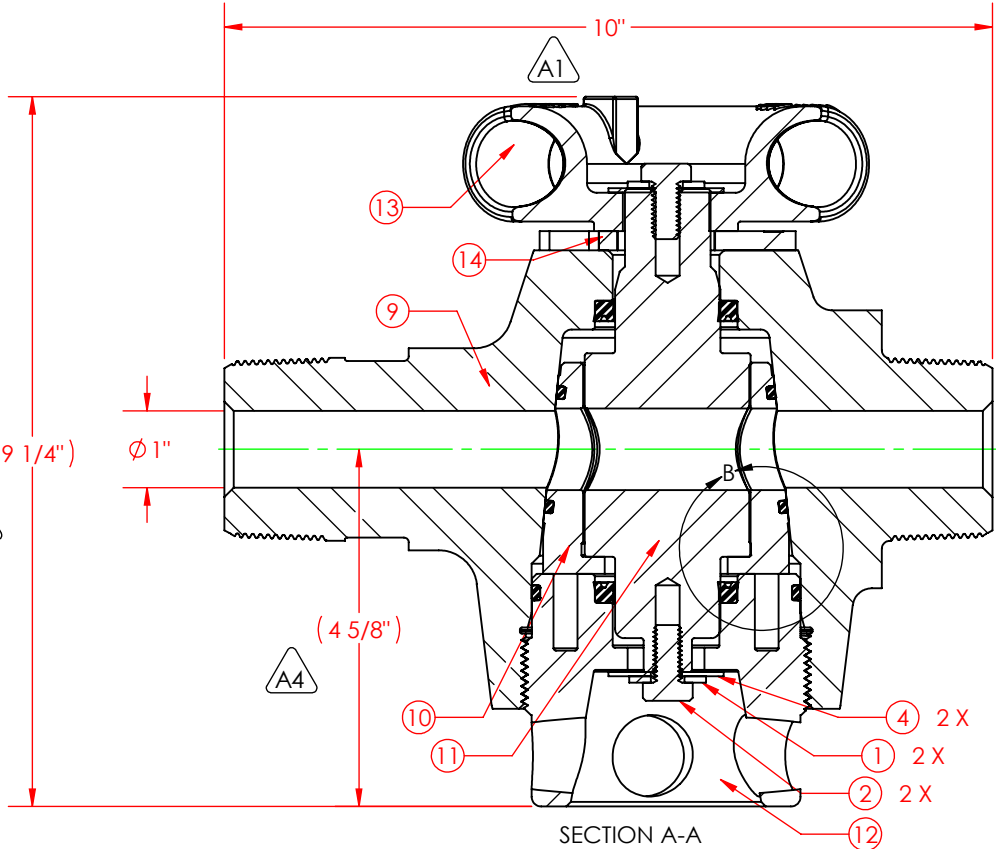


A2
DETAIL B



A
A3



SECTION A-A

ITEM NO.	QTY.	PART NUMBER	DESCRIPTION
1	2	HC0002	FLAT WASHER, 3/8" STD
2	2	HC0004	HEX HD, 3/8"-16 x 0.75"
3	1	HC0005	SOC HD, 3/8"-16 x 0.50"
4	2	HC0027	FLAT WASHER, 3/8" OVERSIZED (REGULAR)
5	1	HC0226	GREASE FITTING, 3/4" SAFETAP H2S GBH
6	1	OC0005	O-RING, 1" ADJ NUT STD (2-236 BUNA 90)
7	2	OC0006	O-RING, 1" INSERT STD (2-219 BUNA 90)
8	2	VC0016	PLUG SEAL, 0.38" - 1.31" STD (BUNA/BRASS)
9	1	VC0017	VLV BODY, 1" x 2"LPMM STD 10M
10	1	VC0036	INSERT SET, 1" STD
11	1	VC0037	PLUG, 1" STD
12	1	VC0038	ADJUSTING NUT, 1" H2S
13	1	VC0063-SC	HANDLE ADAPTER, 0.38" - 1.31" VALVE (NON-INDEXED)
14	1	VC0064	STOP COLLAR, 0.38" - 1.31" VALVE

CHANGE MADE	REVISED BY	RSE	DATE	04/19/2013
1) DIM WAS 9.00; NOW 10"				
2) ADDED PARENT VIEW FOR SEALS				
3) ADDED DETAIL VIEW FOR SEALS				
4) DIMS WERE DECIMAL; NOW FRACTIONAL				
5) SORTED BOM BY PART NUMBER				
6) UPDATED BOM WITH CURRENT MATERIALS: VC0063-SC, VC0064				
7) UPDATED DRAWING TEMPLATE				

ECH NUMBER		DESCRIPTION	
4795		VALVE, 1" x 2"LPMM STD 10M	
WORKING PRESSURE:	TEMPERATURE CLASS:	DRAWN BY:	
10,000 PSI	PU	WJT	
RETAINED FLUIDS:	PR LEVEL:	DATE:	
AA	1	06/25/2003	
WEIGHT:	SHEET:	PART NUMBER:	REV:
36 lbs.	SHEET 1 OF 1	VA0015	A

300 WEST MAIN ST.
ALICE, TX 78332
www.diwmsi.com
800.242.0059
MSI IS A DIVISION OF DIXIE IRON WORKS, LTD.

THIS DRAWING IS THE PROPERTY OF DIXIE IRON WORKS, LTD. THE BORROWER AGREES BY RECEIVING THE DRAWING TO RETURN IT UPON REQUEST AND TO NEITHER REPRODUCE COPY OR FURNISH INFORMATION FROM IT TO OTHERS WITHOUT EXPRESSED WRITTEN PERMISSION OF DIXIE IRON WORKS, LTD. ALL ARTICLES MANUFACTURED IN ACCORDANCE WITH THIS DRAWING SHALL BE CONSIDERED DESIGNS OF DIXIE IRON WORKS, LTD. AND MAY NOT BE USED OR SOLD WITHOUT DIXIE IRON WORKS, LTD. WRITTEN PERMISSION.