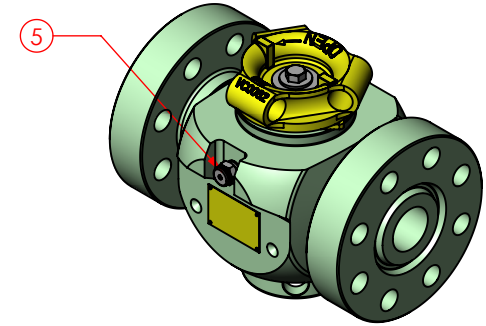
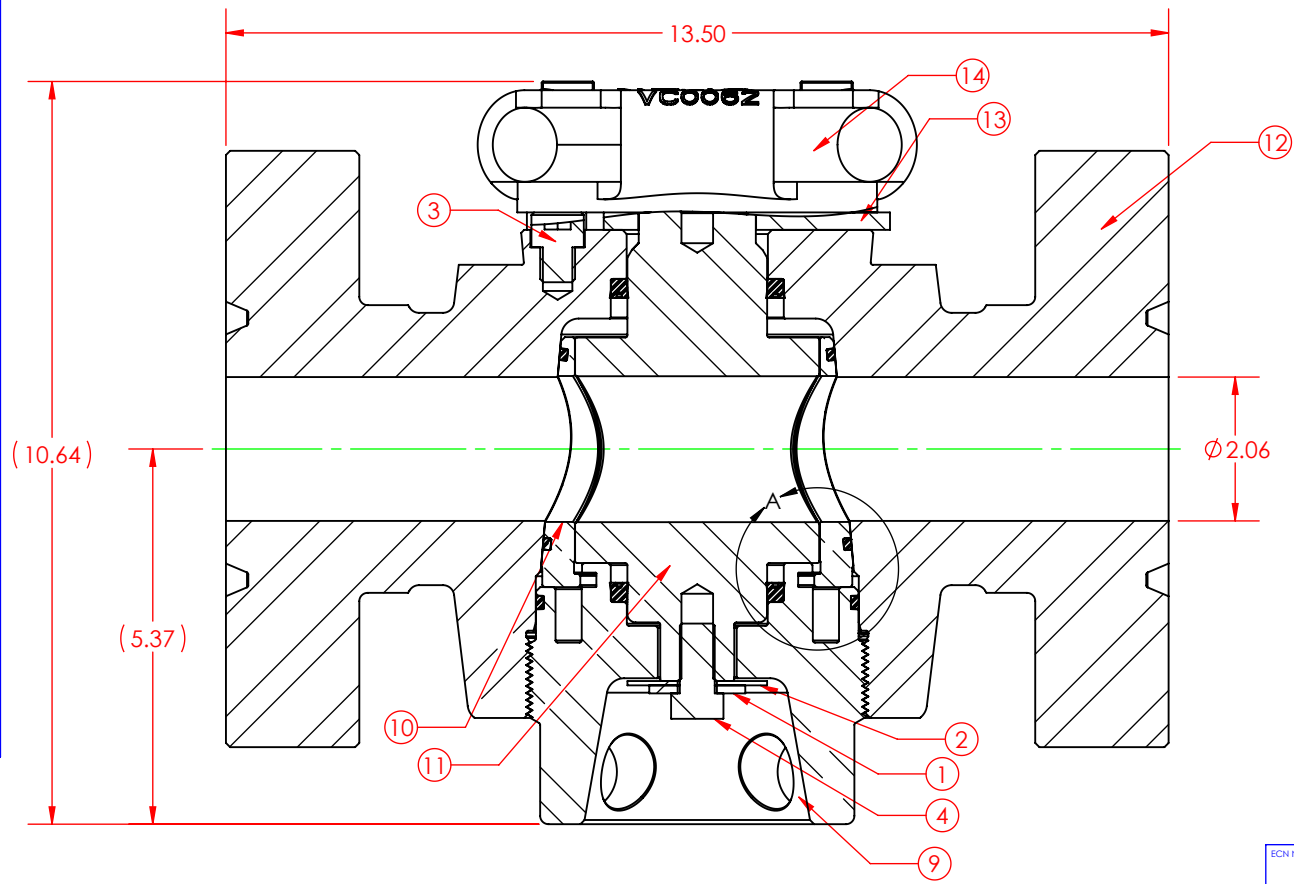


DETAIL A

ITEM NO.	QTY.	PART NUMBER	DESCRIPTION
1	2	HC0006	FLAT WASHER, 1/2" STD
2	2	HC0007	FLAT WASHER, 1/2" FENDER (2"OD)
3	1	HC0008	SOC HD, 1/2"-13 x 0.50"
4	2	HC0009	HEX HD, 1/2"-20 x 1.00"
5	1	HC0226	GREASE FITTING, 3/4" SAFETAP H2S GBH
6	2	OC0016	O-RING, 2" INSERT H2S
7	1	OC0020	O-RING, 2" ADJ NUT H2S
8	2	VC0005	PLUG SEAL, 1.75" - 3" H2S (HNBR/BRASS)
9	1	VC0028	ADJUSTING NUT, 2" H2S
10	1	VC0049	INSERT SET, 2" H2S
11	1	VC0050	PLUG, 2" H2S
12	1	VC0059	VLV BODY, 2" x 2 1/16 5M H2S
13	1	VC0061	STOP COLLAR, 1.75" - 3.00" VALVE
14	1	VC0062	HANDLE ADAPTER, 1.75" - 3.00" VALVE



CHANGE MADE	

E/CN NUMBER		DESCRIPTION	
		VALVE, 2" x 2 1/16 5M H2S	
WORKING PRESSURE:	TEMPERATURE CLASS:	DRAWN BY:	
5,000 PSI	L/U	RSE	
RETAINED FLUIDS:	PR LEVEL:	DATE:	
EE-0.5	1	02/08/2012	
WEIGHT:	SHEET:	PART NUMBER:	REV:
149 lbs.	SHEET 1 OF 1	VA0018	0

MSI

300 West Main Street
Alice, TX 78332

www.diwmsi.com
800.242.0059

MSI is a division of Dixie Iron Works, Ltd.

THIS DRAWING IS THE PROPERTY OF DIXIE IRON WORKS, LTD. THE BORROWER AGREES BY RECEIVING THE DRAWING TO RETURN IT UPON REQUEST AND TO NEITHER REPRODUCE COPY OR FURNISH INFORMATION FROM IT TO OTHERS WITHOUT EXPRESSED WRITTEN PERMISSION OF DIXIE IRON WORKS, LTD. ALL ARTICLES MANUFACTURED IN ACCORDANCE WITH THIS DRAWING SHALL BE CONSIDERED DESIGNS OF DIXIE IRON WORKS, LTD. AND MAY NOT BE USED OR SOLD WITHOUT DIXIE IRON WORKS, LTD. WRITTEN PERMISSION.