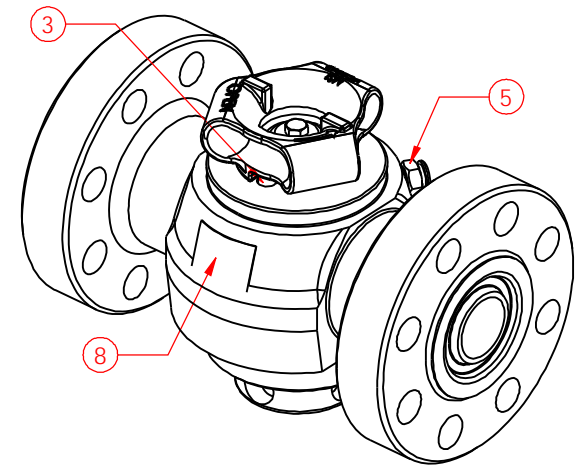
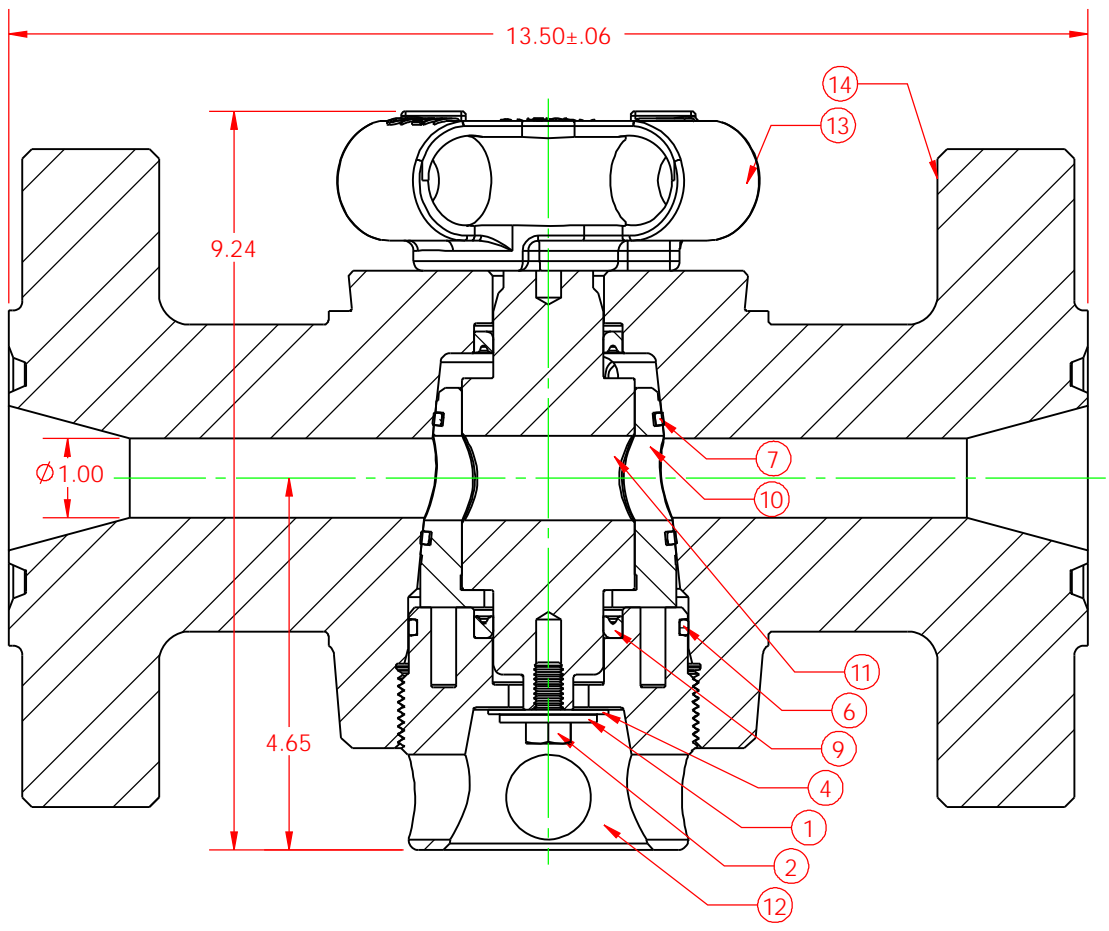


| ITEM NO. | QTY. | PART NUMBER | DESCRIPTION |
|----------|------|-------------|--------------------------------------|
| 1 | 2 | HC0002 | FLAT WASHER, 3/8" STD |
| 2 | 2 | HC0004 | HEX HD, 3/8"-16 x 0.75" |
| 3 | 1 | HC0005 | SOC HD, 3/8"-16 x 0.50" |
| 4 | 2 | HC0027 | FLAT WASHER, 3/8" OVERSIZED |
| 5 | 1 | HC0226 | GREASE FITTING, 3/4" SAFETAP H2S GBH |
| 6 | 1 | OC0005 | O-RING, 1" ADJ NUT STD |
| 7 | 2 | OC0006 | O-RING, 1" INSERT STD |
| 8 | 1 | VC0013 | NAME TAG-VALVE (MSI/DIXIE) |
| 9 | 2 | VC0016 | PLUG SEAL, 1" STD (BUNA/BRASS) |
| 10 | 1 | VC0036 | INSERT SET, 1" STD |
| 11 | 1 | VC0037 | PLUG, 1" STD |
| 12 | 1 | VC0038 | ADJUSTING NUT, 1" H2S |
| 13 | 1 | VC0063 | HANDLE ADAPTER, 1" PLUG VALVE |
| 14 | 1 | VC0665 | VLV BODY, 1" x 1 13/16 15M STD |



A

B

C

D

E

F

A1

A2

G

THIS DRAWING IS THE PROPERTY OF DIXIE IRON WORKS, LTD. THE BORROWER AGREES BY RECEIVING THE DRAWING TO RETURN IT UPON REQUEST AND TO NEITHER REPRODUCE COPY OR FURNISH INFORMATION FROM IT TO OTHERS WITHOUT EXPRESSED WRITTEN PERMISSION OF DIXIE IRON WORKS, LTD. ALL ARTICLES MANUFACTURED IN ACCORDANCE WITH THIS DRAWING SHALL BE CONSIDERED DESIGNS OF DIXIE IRON WORKS, LTD. AND MAY NOT BE USED OR SOLD WITHOUT DIXIE IRON WORKS, LTD. WRITTEN PERMISSION.

NOTES
 1. BREAK ALL EDGES TO 0.00625" x 45° OR 0.00625" x 60° CHAMFER
 2. ALL MACHINED CORNER RADIUS TO BE R0.031
 3. ALL DIMENSIONS ARE IN INCHES UNLESS OTHERWISE STATED
 4. ALL DIMENSIONS TO FACE UNLESS OTHERWISE STATED
 5. ALL DIMENSIONS TO BE CONCENTRIC WITHIN 0.005"
 6. ALL DIMENSIONS TO BE CONCENTRIC WITHIN 0.005"
 7. ALL DIMENSIONS TO BE CONCENTRIC WITHIN 0.005"
 8. ALL DIMENSIONS TO BE CONCENTRIC WITHIN 0.005"
 9. ALL DIMENSIONS TO BE CONCENTRIC WITHIN 0.005"
 10. ALL DIMENSIONS TO BE CONCENTRIC WITHIN 0.005"
 11. ALL DIMENSIONS TO BE CONCENTRIC WITHIN 0.005"
 12. ALL DIMENSIONS TO BE CONCENTRIC WITHIN 0.005"
 13. ALL DIMENSIONS TO BE CONCENTRIC WITHIN 0.005"
 14. ALL DIMENSIONS TO BE CONCENTRIC WITHIN 0.005"
 15. ALL DIMENSIONS TO BE CONCENTRIC WITHIN 0.005"
 16. ALL DIMENSIONS TO BE CONCENTRIC WITHIN 0.005"
 17. ALL DIMENSIONS TO BE CONCENTRIC WITHIN 0.005"
 18. ALL DIMENSIONS TO BE CONCENTRIC WITHIN 0.005"
 19. ALL DIMENSIONS TO BE CONCENTRIC WITHIN 0.005"
 20. ALL DIMENSIONS TO BE CONCENTRIC WITHIN 0.005"
 21. ALL DIMENSIONS TO BE CONCENTRIC WITHIN 0.005"
 22. ALL DIMENSIONS TO BE CONCENTRIC WITHIN 0.005"
 23. ALL DIMENSIONS TO BE CONCENTRIC WITHIN 0.005"
 24. ALL DIMENSIONS TO BE CONCENTRIC WITHIN 0.005"
 25. ALL DIMENSIONS TO BE CONCENTRIC WITHIN 0.005"
 26. ALL DIMENSIONS TO BE CONCENTRIC WITHIN 0.005"
 27. ALL DIMENSIONS TO BE CONCENTRIC WITHIN 0.005"
 28. ALL DIMENSIONS TO BE CONCENTRIC WITHIN 0.005"
 29. ALL DIMENSIONS TO BE CONCENTRIC WITHIN 0.005"
 30. ALL DIMENSIONS TO BE CONCENTRIC WITHIN 0.005"
 31. ALL DIMENSIONS TO BE CONCENTRIC WITHIN 0.005"
 32. ALL DIMENSIONS TO BE CONCENTRIC WITHIN 0.005"
 33. ALL DIMENSIONS TO BE CONCENTRIC WITHIN 0.005"
 34. ALL DIMENSIONS TO BE CONCENTRIC WITHIN 0.005"
 35. ALL DIMENSIONS TO BE CONCENTRIC WITHIN 0.005"
 36. ALL DIMENSIONS TO BE CONCENTRIC WITHIN 0.005"
 37. ALL DIMENSIONS TO BE CONCENTRIC WITHIN 0.005"
 38. ALL DIMENSIONS TO BE CONCENTRIC WITHIN 0.005"
 39. ALL DIMENSIONS TO BE CONCENTRIC WITHIN 0.005"
 40. ALL DIMENSIONS TO BE CONCENTRIC WITHIN 0.005"
 41. ALL DIMENSIONS TO BE CONCENTRIC WITHIN 0.005"
 42. ALL DIMENSIONS TO BE CONCENTRIC WITHIN 0.005"
 43. ALL DIMENSIONS TO BE CONCENTRIC WITHIN 0.005"
 44. ALL DIMENSIONS TO BE CONCENTRIC WITHIN 0.005"
 45. ALL DIMENSIONS TO BE CONCENTRIC WITHIN 0.005"
 46. ALL DIMENSIONS TO BE CONCENTRIC WITHIN 0.005"
 47. ALL DIMENSIONS TO BE CONCENTRIC WITHIN 0.005"
 48. ALL DIMENSIONS TO BE CONCENTRIC WITHIN 0.005"
 49. ALL DIMENSIONS TO BE CONCENTRIC WITHIN 0.005"
 50. ALL DIMENSIONS TO BE CONCENTRIC WITHIN 0.005"
 51. ALL DIMENSIONS TO BE CONCENTRIC WITHIN 0.005"
 52. ALL DIMENSIONS TO BE CONCENTRIC WITHIN 0.005"
 53. ALL DIMENSIONS TO BE CONCENTRIC WITHIN 0.005"
 54. ALL DIMENSIONS TO BE CONCENTRIC WITHIN 0.005"
 55. ALL DIMENSIONS TO BE CONCENTRIC WITHIN 0.005"
 56. ALL DIMENSIONS TO BE CONCENTRIC WITHIN 0.005"
 57. ALL DIMENSIONS TO BE CONCENTRIC WITHIN 0.005"
 58. ALL DIMENSIONS TO BE CONCENTRIC WITHIN 0.005"
 59. ALL DIMENSIONS TO BE CONCENTRIC WITHIN 0.005"
 60. ALL DIMENSIONS TO BE CONCENTRIC WITHIN 0.005"
 61. ALL DIMENSIONS TO BE CONCENTRIC WITHIN 0.005"
 62. ALL DIMENSIONS TO BE CONCENTRIC WITHIN 0.005"
 63. ALL DIMENSIONS TO BE CONCENTRIC WITHIN 0.005"
 64. ALL DIMENSIONS TO BE CONCENTRIC WITHIN 0.005"
 65. ALL DIMENSIONS TO BE CONCENTRIC WITHIN 0.005"
 66. ALL DIMENSIONS TO BE CONCENTRIC WITHIN 0.005"
 67. ALL DIMENSIONS TO BE CONCENTRIC WITHIN 0.005"
 68. ALL DIMENSIONS TO BE CONCENTRIC WITHIN 0.005"
 69. ALL DIMENSIONS TO BE CONCENTRIC WITHIN 0.005"
 70. ALL DIMENSIONS TO BE CONCENTRIC WITHIN 0.005"
 71. ALL DIMENSIONS TO BE CONCENTRIC WITHIN 0.005"
 72. ALL DIMENSIONS TO BE CONCENTRIC WITHIN 0.005"
 73. ALL DIMENSIONS TO BE CONCENTRIC WITHIN 0.005"
 74. ALL DIMENSIONS TO BE CONCENTRIC WITHIN 0.005"
 75. ALL DIMENSIONS TO BE CONCENTRIC WITHIN 0.005"
 76. ALL DIMENSIONS TO BE CONCENTRIC WITHIN 0.005"
 77. ALL DIMENSIONS TO BE CONCENTRIC WITHIN 0.005"
 78. ALL DIMENSIONS TO BE CONCENTRIC WITHIN 0.005"
 79. ALL DIMENSIONS TO BE CONCENTRIC WITHIN 0.005"
 80. ALL DIMENSIONS TO BE CONCENTRIC WITHIN 0.005"
 81. ALL DIMENSIONS TO BE CONCENTRIC WITHIN 0.005"
 82. ALL DIMENSIONS TO BE CONCENTRIC WITHIN 0.005"
 83. ALL DIMENSIONS TO BE CONCENTRIC WITHIN 0.005"
 84. ALL DIMENSIONS TO BE CONCENTRIC WITHIN 0.005"
 85. ALL DIMENSIONS TO BE CONCENTRIC WITHIN 0.005"
 86. ALL DIMENSIONS TO BE CONCENTRIC WITHIN 0.005"
 87. ALL DIMENSIONS TO BE CONCENTRIC WITHIN 0.005"
 88. ALL DIMENSIONS TO BE CONCENTRIC WITHIN 0.005"
 89. ALL DIMENSIONS TO BE CONCENTRIC WITHIN 0.005"
 90. ALL DIMENSIONS TO BE CONCENTRIC WITHIN 0.005"
 91. ALL DIMENSIONS TO BE CONCENTRIC WITHIN 0.005"
 92. ALL DIMENSIONS TO BE CONCENTRIC WITHIN 0.005"
 93. ALL DIMENSIONS TO BE CONCENTRIC WITHIN 0.005"
 94. ALL DIMENSIONS TO BE CONCENTRIC WITHIN 0.005"
 95. ALL DIMENSIONS TO BE CONCENTRIC WITHIN 0.005"
 96. ALL DIMENSIONS TO BE CONCENTRIC WITHIN 0.005"
 97. ALL DIMENSIONS TO BE CONCENTRIC WITHIN 0.005"
 98. ALL DIMENSIONS TO BE CONCENTRIC WITHIN 0.005"
 99. ALL DIMENSIONS TO BE CONCENTRIC WITHIN 0.005"
 100. ALL DIMENSIONS TO BE CONCENTRIC WITHIN 0.005"

UNSPECIFIED TOLERANCES
 FRACTIONS ±1/64
 DECIMALS ±0.005
 ANGLES ±1/2°

REVISION
 A

CHANGE MADE
 CHANGES INCLUDE
 1) VALVE BODY WAS H2S, NOW STD.
 2) UPDATED THE SHEET FORMAT.
 09/07/2006 HP

ECN NUMBER
 3068

DESCRIPTION
 VALVE,
 1" x 1 13/16 15M STD
 MATERIAL/HEAT TREAT/WELD PROCEDURE
 STANDARD SERVICE
 15,000 PSI WORKING PRESSURE
DRAWN BY
 WJT
DATE
 06/26/03
PART NUMBER
 VA0028

MSI
 300 West Main Street
 Alice, TX 78332
 www.diwmsi.com
 800.242.0059
 MSI is a division of Dixie Iron Works, Ltd.

| | | |
|-------------------------|---------------|------------------|
| DATUM INDICATING SYMBOL | COUNTERBORE | COUNTERSINK |
| POSITION | CONCENTRICITY | ANGULARITY |
| | FLATNESS | PERPENDICULARITY |
| | | PARALLELISM |

SHEET 1 OF 1

REV A