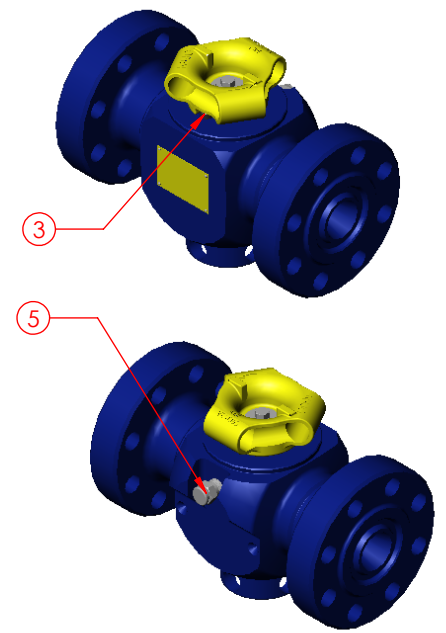
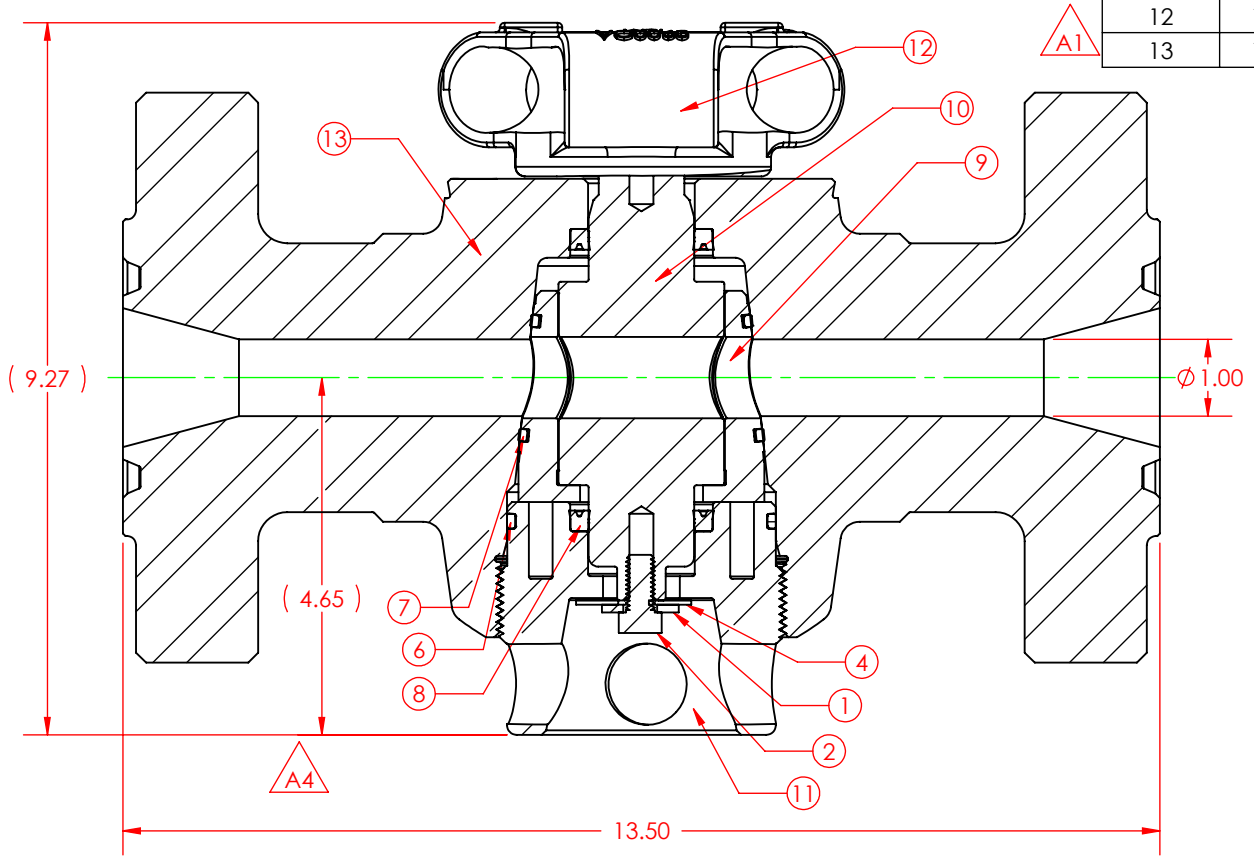
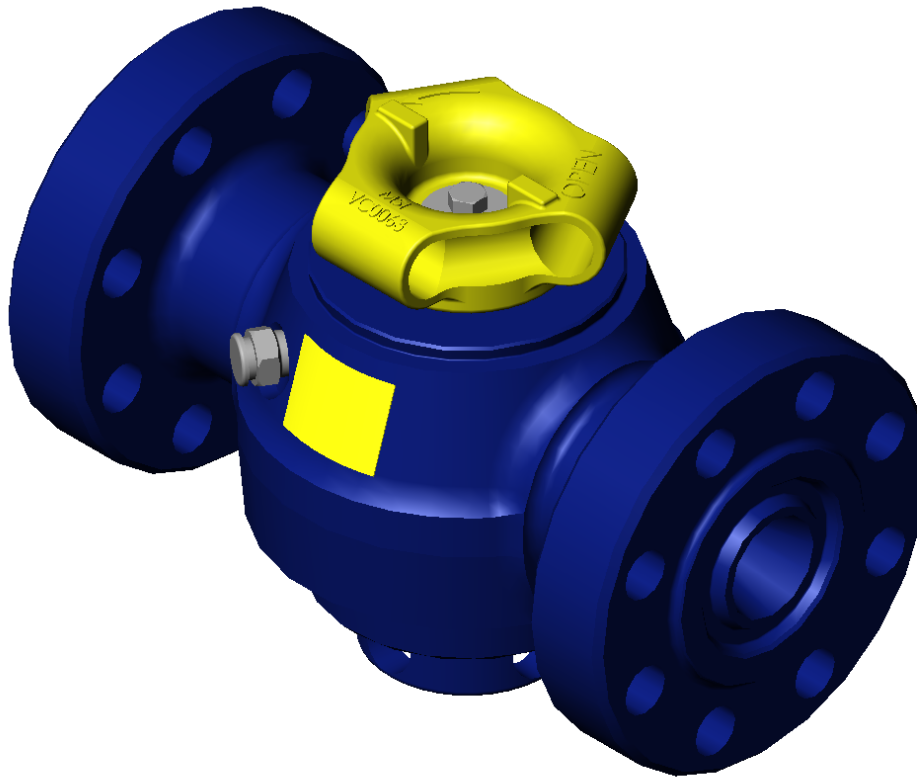


ITEM NO.	QTY.	PART NUMBER	DESCRIPTION
1	2	HC0002	FLAT WASHER, 3/8" STD
2	2	HC0004	HEX HD, 3/8"-16 x 0.75"
3	1	HC0005	SOC HD, 3/8"-16 x 0.50"
4	2	HC0027	FLAT WASHER, 3/8" OVERSIZED (REGULAR)
5	1	HC0226	GREASE FITTING, 3/4" SAFETAP H2S GBH
6	1	OC0005	O-RING, 1" ADJ NUT STD (BUNA 90)
7	2	OC0006	O-RING, 1" INSERT STD (BUNA)
8	2	VC0016	PLUG SEAL, 1" STD (BUNA/BRASS)
9	1	VC0036	INSERT SET, 1" STD
10	1	VC0037	PLUG, 1" STD
11	1	VC0038	ADJUSTING NUT, 1" H2S
12	1	VC0063	HANDLE ADAPTER, 1"
13	1	VC0129	VLV BODY, 1" x 1 13/16 10M STD

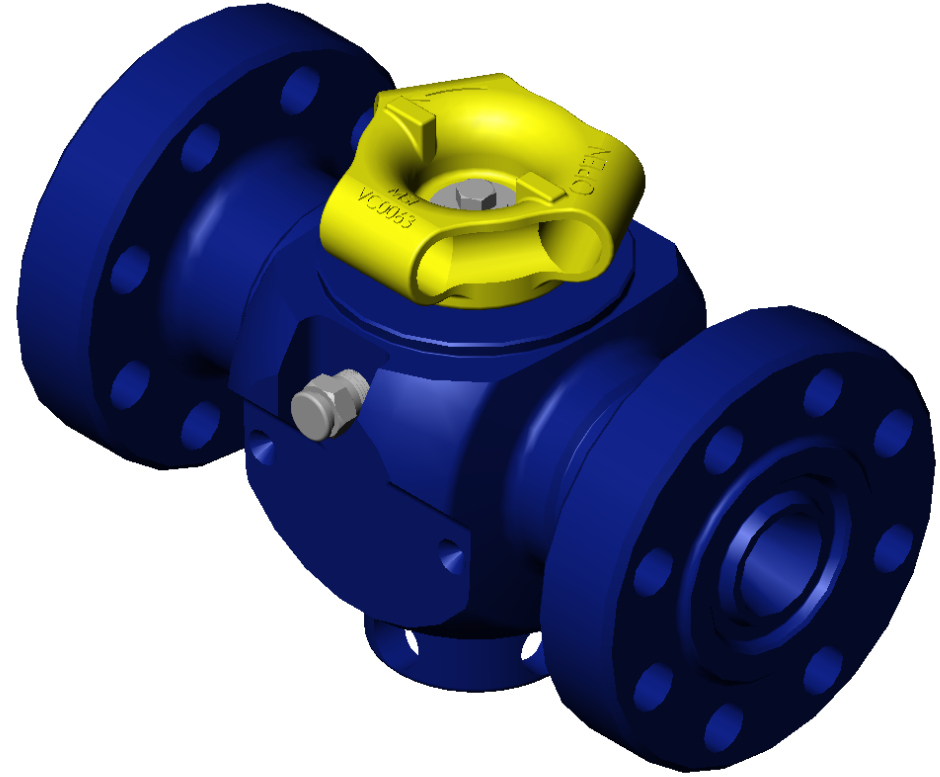


<p>THIS DRAWING IS THE PROPERTY OF DIXIE IRON WORKS, LTD. THE BORROWER AGREES BY RECEIVING THE DRAWING TO RETURN IT UPON REQUEST AND TO NEITHER REPRODUCE COPY OR FURNISH INFORMATION FROM IT TO OTHERS WITHOUT EXPRESSED WRITTEN PERMISSION OF DIXIE IRON WORKS, LTD. ALL ARTICLES MANUFACTURED IN ACCORDANCE WITH THIS DRAWING SHALL BE CONSIDERED DESIGNS OF DIXIE IRON WORKS, LTD. AND MAY NOT BE USED OR SOLD WITHOUT DIXIE IRON WORKS, LTD. WRITTEN PERMISSION.</p>	<p>CHANGE MADE</p> <p>1) CHANGED VC0138 TO VC0129 2) REMOVED HC0011 AND HC0003 FROM BOM 3) ADDED SHEET TO SHOW THE TWO POSSIBLE VERSIONS. 4) DIMS NOW REFERENCE 08/27/10 RSE</p>	<p>ECN NUMBER</p> <p>3980</p>	<p>DESCRIPTION</p> <p>VALVE, 1" x 1 13/16 10M STD</p>	<p>300 West Main Street Alice, TX 78332 www.diwmsi.com 800.242.0059 MSI is a division of Dixie Iron Works, Ltd.</p>
	<p>MATERIAL/HEAT TREAT/WELD PROCEDURE</p> <p>STANDARD SERVICE 10,000 PSI WORKING PRESSURE</p>	<p>DRAWN BY</p> <p>WJT</p>		
	<p>WEIGHT</p> <p>90 lbs.</p>	<p>SHEET</p> <p>SHEET 1 OF 2</p>	<p>DATE</p> <p>06/26/03</p>	



NOTE:
VALVE WILL BE OUT OF FORGING OR BAR STOCK.



FORGING



BAR STOCK

<p>THIS DRAWING IS THE PROPERTY OF DIXIE IRON WORKS, LTD. THE BORROWER AGREES BY RECEIVING THE DRAWING TO RETURN IT UPON REQUEST AND TO NEITHER REPRODUCE COPY OR FURNISH INFORMATION FROM IT TO OTHERS WITHOUT EXPRESSED WRITTEN PERMISSION OF DIXIE IRON WORKS, LTD. ALL ARTICLES MANUFACTURED IN ACCORDANCE WITH THIS DRAWING SHALL BE CONSIDERED DESIGNS OF DIXIE IRON WORKS, LTD. AND MAY NOT BE USED OR SOLD WITHOUT DIXIE IRON WORKS, LTD. WRITTEN PERMISSION.</p>	<p>CHANGE MADE</p> <p>1) CHANGED VC0138 TO VC0129 2) REMOVED HC0011 AND HC0003 FROM BOM 3) ADDED SHEET TO SHOW THE TWO POSSIBLE VERSIONS. 4) DIMS ARE NOW REFERENCES NOW 08/27/10 RSE</p>	<p>ECN NUMBER</p> <p>3980</p>	<p>DESCRIPTION</p> <p>VALVE, 1" x 1 13/16 10M STD</p>	 <p>300 West Main Street Alice, TX 78332 www.diwmsi.com 800.242.0059 MSI is a division of Dixie Iron Works, Ltd.</p>
	<p>THIRD ANGLE PROJECTION</p> 	<p>MATERIAL/ HEAT TREAT/ WELD PROCEDURE</p> <p>STANDARD SERVICE 10,000 PSI WORKING PRESSURE</p>	<p>DRAWN BY</p> <p>WJT</p>	
	<p>WEIGHT</p>	<p>SHEET</p> <p>SHEET 2 OF 2</p>	<p>DATE</p> <p>06/26/03</p>	<p>PART NUMBER</p> <p>VA0029</p>
	<p>REV</p> <p>A</p>			