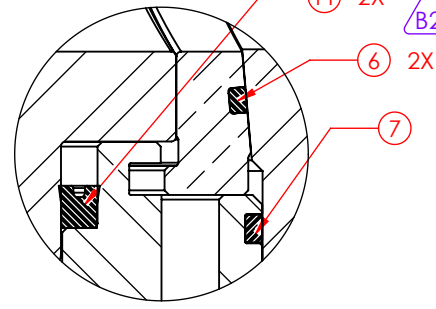
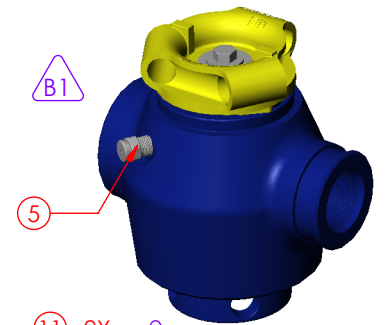


ITEM NO.	QTY.	PART NUMBER	DESCRIPTION
1	2	HC0006	FLAT WASHER, 1/2" STD
2	2	HC0007	FLAT WASHER, 1/2" FENDER (2"OD)
3	1	HC0008	SOC HD, 1/2"-13 x 0.50"
4	2	HC0009	HEX HD, 1/2"-20 x 1.00"
5	1	HC0226	GREASE FITTING, 3/4" SAFETAP H2S GBH
6	2	OC0011	O-RING, 2" INSERT STD (2-230 BUNA 90)
7	1	OC0012	O-RING, 2" ADJ NUT STD (2-245 BUNA 90)
8	1	VC0024	PLUG, 2" STD
9	1	VC0027	INSERT SET, 2" STD
10	1	VC0028	ADJUSTING NUT, 2" H2S
11	2	VC0060	PLUG SEAL, 1.75" - 3" STD (BUNA/BRASS)
12	1	VC0061	STOP COLLAR, 1.75" - 3.00" VALVE
13	1	VC0062	HANDLE ADAPTER, 1.75" - 3.00" VALVE
14	1	VC0199	VLV BODY, 2" x 2"LPFF STD 10M



DETAIL A

ECN NUMBER	DESCRIPTION		
5139	VALVE, 2" x 2"LPFF STD 10M		
WORKING PRESSURE:	TEMPERATURE CLASS:	DRAWN BY:	
10,000 PSI	PU	KB	
RETAINED FLUIDS:	PR LEVEL:	DATE:	
AA	1	6/27/03	
WEIGHT:	SHEET:	PART NUMBER:	REV:
78 lbs.	SHEET 1 OF 1	VA0032	B

- CHANGE MADE: _____ REVISED BY: RSE DATE: 06/24/2014
- 1) LOCATION OF GREASE FITTING MOVE FROM BANDING TAG SIDE TO THE LARGER END SIDE
 - 2) ADDED NUMBER OF QTY. TO BALLOONS
 - 3) UPDATED DRAWING TEMPLATE
 - 4)
 - 5)
 - 6)
 - 7)

THIS DRAWING IS THE PROPERTY OF DIXIE IRON WORKS, LTD. THE BORROWER AGREES BY RECEIVING THE DRAWING TO RETURN IT UPON REQUEST AND TO NEITHER REPRODUCE COPY OR FURNISH INFORMATION FROM IT TO OTHERS WITHOUT EXPRESSED WRITTEN PERMISSION OF DIXIE IRON WORKS, LTD. ALL ARTICLES MANUFACTURED IN ACCORDANCE WITH THIS DRAWING SHALL BE CONSIDERED DESIGNS OF DIXIE IRON WORKS, LTD. AND MAY NOT BE USED OR SOLD WITHOUT DIXIE IRON WORKS, LTD. WRITTEN PERMISSION.

