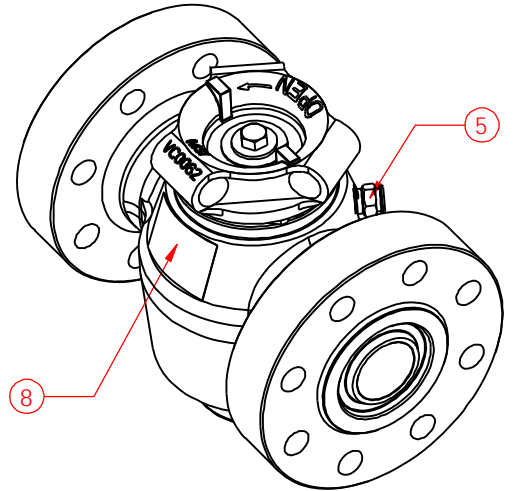


ITEM NO.	QTY.	PART NUMBER	DESCRIPTION
1	2	HC0006	FLAT WASHER, 1/2" STD
2	2	HC0007	FLAT WASHER, 1/2" OVERSIZED
3	1	HC0008	SOC HD, 1/2"-13 x 0.50"
4	2	HC0009	HEX HD, 1/2"-20 x 1.00"
5	1	HC0226	GREASE FITTING, 3/4" SAFETAP H2S GBH
6	2	OC0011	O-RING, 2" INSERT STD
7	1	OC0012	O-RING, 2" ADJ NUT STD
8	1	VC0013	NAME TAG- VALVE (MSI/DIXIE)
9	1	VC0024	PLUG, 2" STD
10	1	VC0027	INSERT, 2" STD
11	1	VC0028	ADJUSTING NUT, 2" H2S
12	2	VC0060	PLUG SEAL, 2" STD (BUNA/BRASS)
13	1	VC0061	STOP COLLAR, 2", 3", 4"
14	1	VC0062	HANDLE ADAPTER, 2", 3", 4"
15	1	VC0661	VLV BODY, 2" x 2 1/16 15M STD A1



THIS DRAWING IS THE PROPERTY OF DIXIE IRON WORKS, LTD. THE BORROWER AGREES BY RECEIVING THE DRAWING TO RETURN IT UPON REQUEST AND TO NEITHER REPRODUCE COPY OR FURNISH INFORMATION FROM IT TO OTHERS WITHOUT EXPRESSED WRITTEN PERMISSION OF DIXIE IRON WORKS, LTD. ALL ARTICLES MANUFACTURED IN ACCORDANCE WITH THIS DRAWING SHALL BE CONSIDERED DESIGNS OF DIXIE IRON WORKS, LTD. AND MAY NOT BE USED OR SOLD WITHOUT DIXIE IRON WORKS, LTD. WRITTEN PERMISSION.

NOTES
 1. BREAK ALL EDGES TO 0.0010 DIA + .05° OR 0.0010 DIA EXCEPT HEADS
 2. ALL MACHINED CORNER RADIUS TO BE R0.031
 3. ALL DIMENSIONS ARE IN INCHES UNLESS OTHERWISE STATED
 4. ALL UNIFORM ALL ACUTE THREADS
 5. ALL DIMENSIONS TO BE CONCENTRIC WITHIN 0.001
 6. ALL DIMENSIONS TO BE TO CENTERLINE UNLESS OTHERWISE STATED
 7. ALL DIMENSIONS IN PARENTHESIS ARE REFERENCE DIMENSIONS TO CENTERLINE UNLESS OTHERWISE STATED
 8. 90° DE NOT'S SPACING BETWEEN FEATURES, ABOUT 1/4" APART UNLESS OTHERWISE STATED
 9. UNLESS OTHERWISE STATED

THIRD ANGLE PROJECTION

UNSPECIFIED TOLERANCES	REVISION	CHANGE MADE	ECN NUMBER
FRACTIONS ±1/64 DECIMALS .0015 ANGLE ±1/2°	A	CHANGES INCLUDE: 1) VLV BODY WAS H2S NOW STD 2) DWG TEMPLATE WAS DIXIE NOW MSI 9/05/06 ADL	3070

DESCRIPTION	WEIGHT	SHEET
VALVE 2" x 2 1/16 15M STD HANDLE ADAPTER STANDARD SERVICE 15,000 PSI WORKING PRESSURE	134 LB	1 OF 1

MSI

300 West Main Street
Alice, TX 78332

www.dixieiron.com
800.242.0059

MSI is a division of Dixie Iron Works, Ltd.

A2	DRAWN BY KB
A1	DATE 7/1/03
PART NUMBER VA0033	REV A