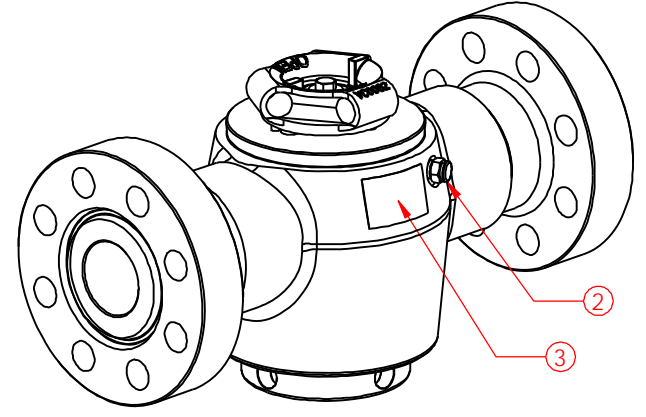
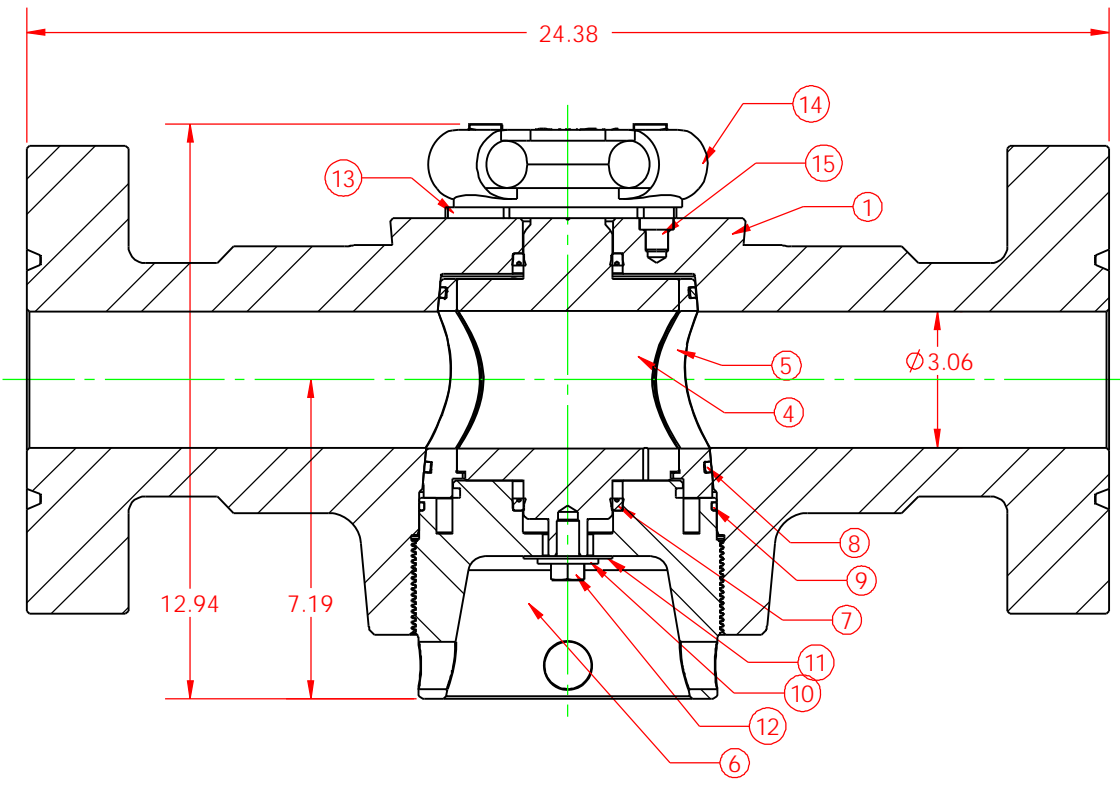


ITEM NO.	QTY.	PART NUMBER	DESCRIPTION
1	1	VC0181	VALVE BODY, 3" x 3 1/8 5M STD
2	1	HC0226	GREASE FITTING, 3/4" SAFETAP H2S GBH
3	1	VC0013	NAME TAG - VALVE (MSI/DIXIE)
4	1	VC0056	PLUG, 3" STD (HEX)
5	1	VC0068	INSERT SET, 3" STD
6	1	VC0029	ADJUSTING NUT, 3" H2S 15M
7	2	VC0060	PLUG SEAL, 2" STD (BUNA/BRASS)
8	2	OC0001	O-RING, 3" INSERT STD
9	1	OC0003	O-RING, 3" ADJ NUT STD
10	2	HC0006	FLAT WASHER, 1/2" STD
11	2	HC0007	FLAT WASHER, 1/2" OVERSIZED
12	2	HC0009	HEX HD, 1/2"-20 x 1.00"
13	1	VC0061	STOP COLLAR, 2", 3", 4"
14	1	VC0062	HANDLE ADAPTER, 2", 3", 4"
15	1	HC0008	SOC HD, 1/2"-13 x 0.50"



THIS DRAWING IS THE PROPERTY OF DIXIE IRON WORKS, LTD. THE BORROWER AGREES BY RECEIVING THE DRAWING TO RETURN IT UPON REQUEST AND TO NEITHER REPRODUCE COPY OR FURNISH INFORMATION FROM IT TO OTHERS WITHOUT EXPRESSED WRITTEN PERMISSION OF DIXIE IRON WORKS, LTD. ALL ARTICLES MANUFACTURED IN ACCORDANCE WITH THIS DRAWING SHALL BE CONSIDERED DESIGNS OF DIXIE IRON WORKS, LTD. AND MAY NOT BE USED OR SOLD WITHOUT DIXIE IRON WORKS, LTD. WRITTEN PERMISSION.

NOTES  
 1. BREAK ALL EDGES 0.008/0.016 x 45° OR R0.008/0.016 EXCEPT THREADS.  
 2. ALL MACHINED CORNER RADIUS TO BE R0.031.  
 3. ALL DIMENSIONS ARE IN INCHES (UNLESS OTHERWISE STATED).  
 4. SURF START ALL HOLES, THREADS.  
 5. ALL DIA'S ARE TO BE CONCENTRIC WITH GD&S (UNLESS OTHERWISE STATED).  
 6. MACHINED SURFACES TO BE 125µH Ra (UNLESS OTHERWISE STATED).  
 7. ALL DIMENSIONS IN PARENTHESES ARE REFERENCE DIMENSIONS (X.XXX).

THIRD ANGLE PROJECTION

UNSPECIFIED TOLERANCES  
 FRACTIONS ±1/64  
 DECIMALS .XX ±0.015  
 .XXX ±0.005  
 .XXXX ±0.001  
 ANGLE ±1/2°

DATUM INDICATING SYMBOL

POSITION

REVISION  
 0

CONCENTRICITY

FLATNESS

CHANGE MADE

ANGULARITY

PERPENDICULARITY

ECN NUMBER

RUN OUT

PARALLELISM

COUNTERBORE

COUNTERSINK

DESCRIPTION  
 VALVE,  
 3" x 3 1/8 5M STD

MATERIAL/HEAT TREAT/WELD PROCEDURE  
 STANDARD SERVICE  
 5,000 PSI WORKING PRESSURE

WEIGHT

SHEET 1 OF 1

DRAWN BY  
 WJT

DATE  
 07/22/03

PART NUMBER  
 VA0054

COMPUTER GENERATED BY

300 West Main Street  
 Alice, Texas 78332

REV 0