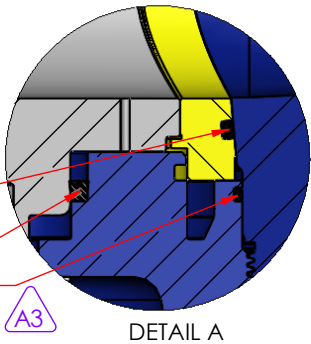
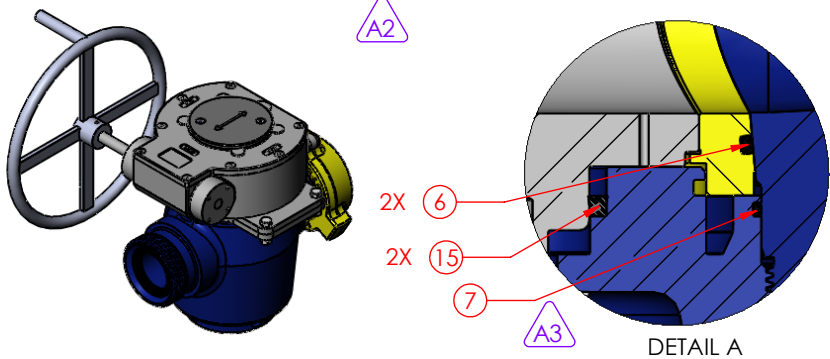
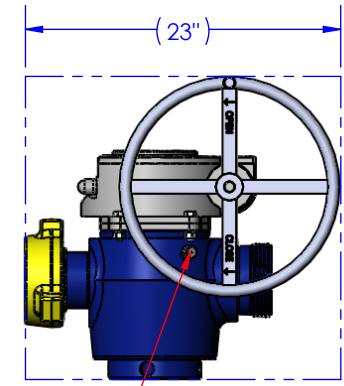
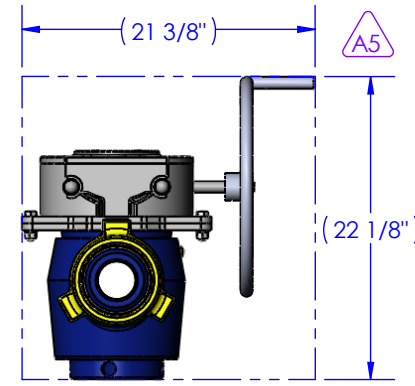
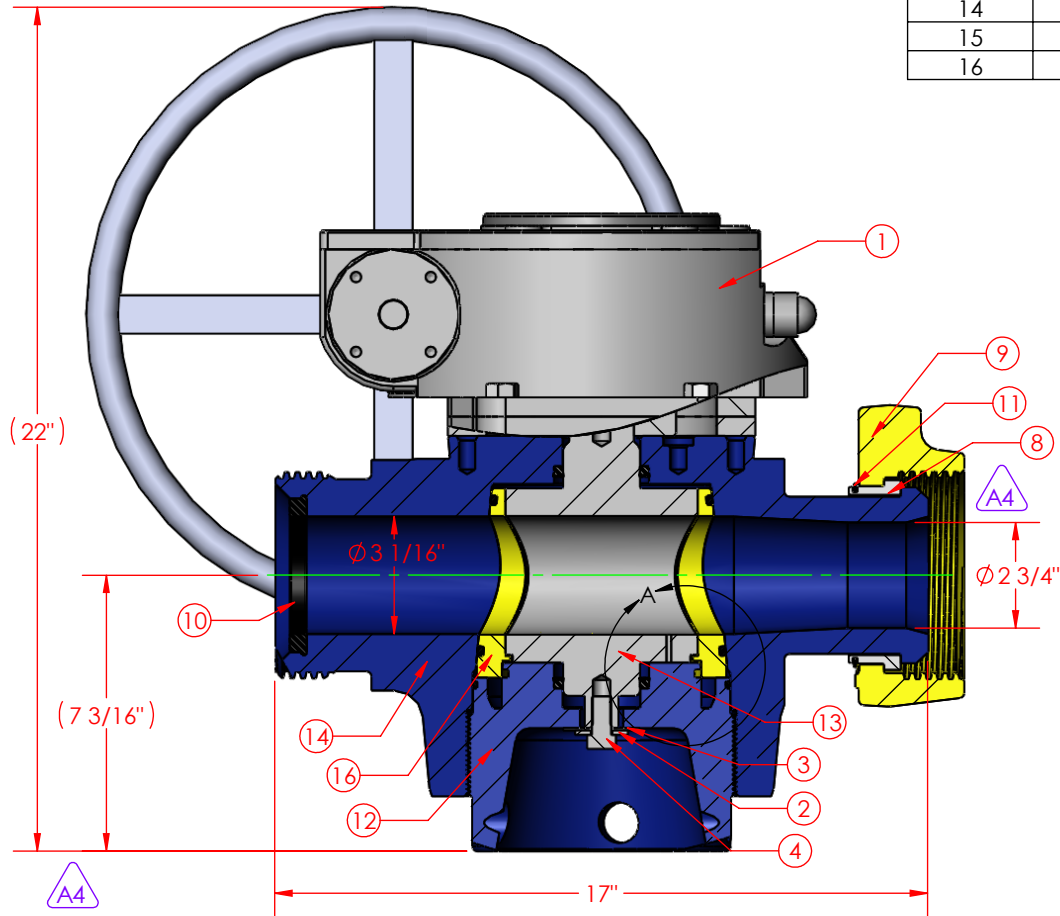


*NOTE: REFER TO AAG-3LT-4000 FOR GEAR-OP BOM



DETAIL A



ITEM NO.	QTY.	PART NUMBER	DESCRIPTION
* 1	1	AAG-3LT-4000	GEAR OP ASSY, PRO GEAR Q4000 3"LT VALVE, FLANGE
2	1	HC0006	FLAT WASHER, 1/2" STD
3	1	HC0007	FLAT WASHER, 1/2" FENDER (2"OD)
4	1	HC0009	HEX HD, 1/2"-20 x 1.00"
5	1	HC0226	GREASE FITTING, 3/4" SAFETAP H2S GBH
6	2	OC0001	O-RING, 3" INSERT STD (2-343 BUNA 90)
7	1	OC0003	O-RING, 3" ADJ NUT STD (2-259 BUNA 90)
8	1	UC0006	NUT RETAINER SET, 3"1502
9	1	UC0009	WINGNUT, 3"1502 STD
10	1	UC0013	RESILIENT SEAL, 3"1502 STD (BUNA)
11	1	UC0015	SPIRAL RETAINER RING, 3"1502
12	1	VC0029	ADJUSTING NUT, 3" H2S 15M
13	1	VC0056	PLUG, 3" STD (HEX)
14	1	VC0058	VLV BODY, 3" x 3"1502 STD 15M
15	2	VC0060	PLUG SEAL, 1.75" - 3" STD (BUNA/BRASS)
16	1	VC0068	INSERT SET, 3" STD

CHANGE MADE	REVISED BY	LMS	DATE	6/16/2014
1) REPLACED AA0007 WITH AAG-3LT-4000				
2) ADDED NOTE				
3) ADDED DETAIL VIEW				
4) WAS DECIMAL: NOW FRACTIONAL				
5) ADDED BOX DIMS				
6) ADDED WEIGHT				
7) UPDATED TEMPLATE				
8)				

ECH NUMBER	DESCRIPTION
5120	VALVE, 3" x 3"1502 STD 15M (GEAR OP HWTS)
WORKING PRESSURE:	TEMPERATURE CLASS:
15,000 PSI	PU
RETAINED FLUIDS:	PR LEVEL:
AA	1
DATE:	07/02/03
WEIGHT:	SHEET:
310 LBS.	1
PART NUMBER:	VA0055

300 WEST MAIN ST.
ALICE, TX 78332
www.diwmsi.com
800.242.0059
MSI IS A DIVISION OF DIXIE IRON WORKS, LTD.

THIS DRAWING IS THE PROPERTY OF DIXIE IRON WORKS, LTD. THE BORROWER AGREES BY RECEIVING THE DRAWING TO RETURN IT UPON REQUEST AND TO NEITHER REPRODUCE COPY OR FURNISH INFORMATION FROM IT TO OTHERS WITHOUT EXPRESSED WRITTEN PERMISSION OF DIXIE IRON WORKS, LTD. ALL ARTICLES MANUFACTURED IN ACCORDANCE WITH THIS DRAWING SHALL BE CONSIDERED DESIGNS OF DIXIE IRON WORKS, LTD. AND MAY NOT BE USED OR SOLD WITHOUT DIXIE IRON WORKS, LTD. WRITTEN PERMISSION.