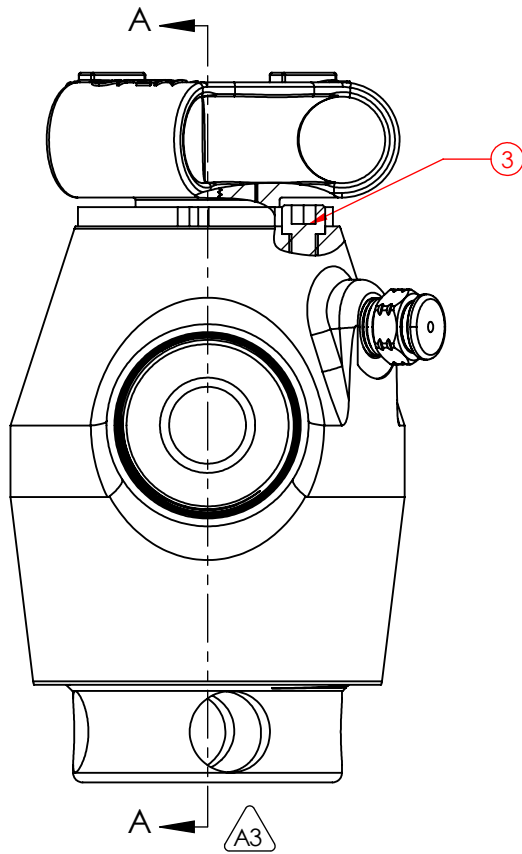
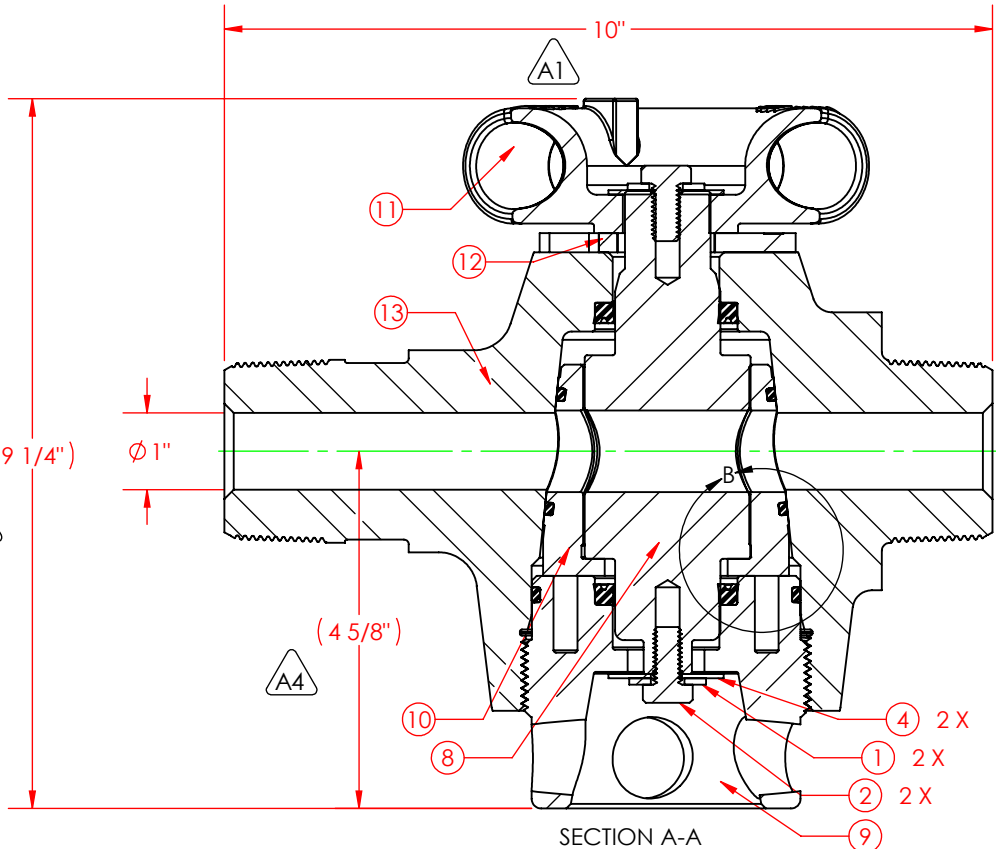


A2  
DETAIL B



A3



SECTION A-A

ITEM NO.	QTY.	PART NUMBER	DESCRIPTION
1	2	HC0002	FLAT WASHER, 3/8" STD
2	2	HC0004	HEX HD, 3/8"-16 x 0.75"
3	1	HC0005	SOC HD, 3/8"-16 x 0.50"
4	2	HC0027	FLAT WASHER, 3/8" OVERSIZED (REGULAR)
5	1	HC0226	GREASE FITTING, 3/4" SAFETAP H2S GBH
6	2	OC0013	O-RING, 1" INSERT H2S (2-219)
7	1	OC0017	O-RING, 1" ADJ NUT H2S (2-236)
8	1	VC0030	PLUG, 1" H2S
9	1	VC0038	ADJUSTING NUT, 1" H2S
10	1	VC0048	INSERT SET, 1" H2S
11	1	VC0063-SC	HANDLE ADAPTER, 0.38" - 1.31" VALVE (NON-INDEXED)
12	1	VC0064	STOP COLLAR, 0.38" - 1.31" VALVE
13	1	VC0078	VLV BODY, 1" x 2"LPMM H2S 5M
14	2	VC0112	PLUG SEAL, 0.38" - 1.31" H2S (HNBR/BRASS)

CHANGE MADE	REVISED BY	RSE	DATE	04/22/2013
1) DIM WAS 9.00; NOW 10"				
2) ADDED DETAIL VIEW FOR SEALS				
3) ADDED PARENT VIEW				
4) DIMS WERE DECIMAL; NOW FRACTIONAL				
5) SORTED BOM BY PART NUMBER				
6) UPDATED BOM WITH CURRENT MATERIALS: VC0063-SC, VC0064				
7) UPDATED DRAWING TEMPLATE				

ECN NUMBER	DESCRIPTION
4796	VALVE, 1" x 2"LPMM H2S 5M
WORKING PRESSURE:	TEMPERATURE CLASS:
5,000 PSI	LU
RETAINED FLUIDS:	PR LEVEL:
EE-0.5	1
DATE	06/25/2003
WEIGHT	SHEET
36 lbs.	SHEET 1 OF 1
PART NUMBER	VA0111

300 WEST MAIN ST.  
ALICE, TX 78332  
www.diwmsi.com  
800.242.0059  
MSI IS A DIVISION OF DIXIE IRON WORKS, LTD.

THIS DRAWING IS THE PROPERTY OF DIXIE IRON WORKS, LTD. THE BORROWER AGREES BY RECEIVING THE DRAWING TO RETURN IT UPON REQUEST AND TO NEITHER REPRODUCE COPY OR FURNISH INFORMATION FROM IT TO OTHERS WITHOUT EXPRESSED WRITTEN PERMISSION OF DIXIE IRON WORKS, LTD. ALL ARTICLES MANUFACTURED IN ACCORDANCE WITH THIS DRAWING SHALL BE CONSIDERED DESIGNS OF DIXIE IRON WORKS, LTD. AND MAY NOT BE USED OR SOLD WITHOUT DIXIE IRON WORKS, LTD. WRITTEN PERMISSION.