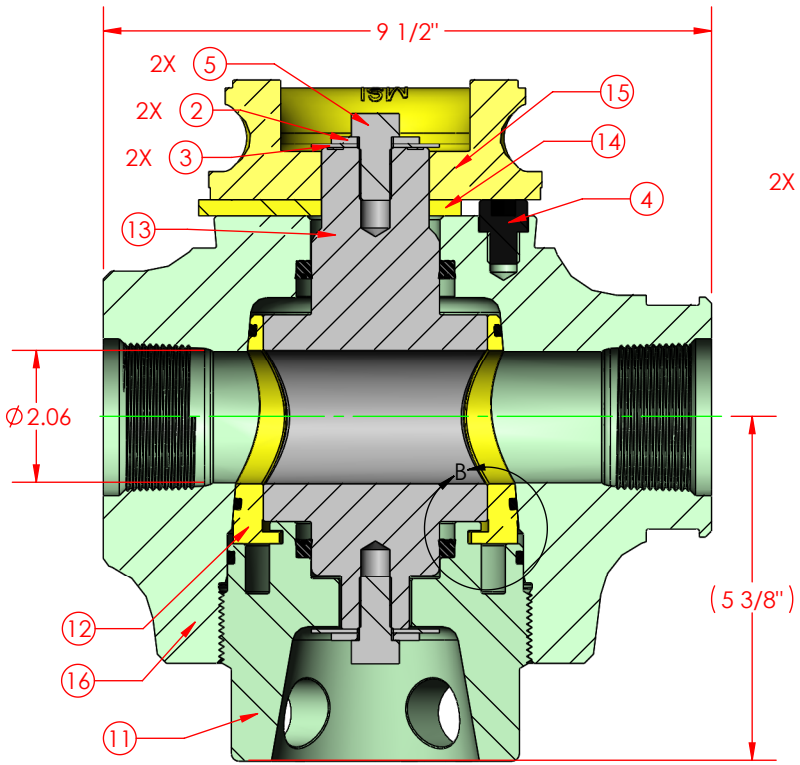
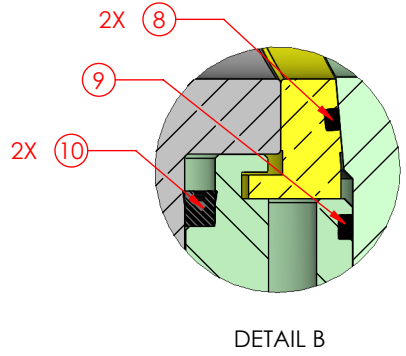


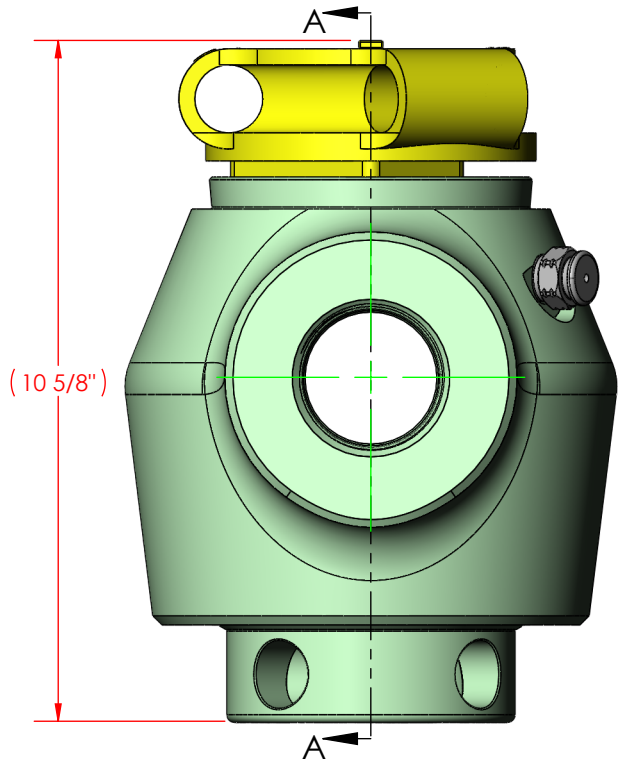
ITEM NO.	QTY.	PART NUMBER	DESCRIPTION
1	2	HC0003	ROLL PIN, 5/16" X 3/4" (LARGE)
2	2	HC0006	FLAT WASHER, 1/2" STD
3	2	HC0007	FLAT WASHER, 1/2" FENDER (2"OD)
4	1	HC0008	SOC HD, 1/2"-13 x 0.50"
5	2	HC0009	HEX HD, 1/2"-20 x 1.00"
6	2	HC0011	ROLL PIN, 3/16" X 11/16" (SMALL)
7	1	HC0226-PSL2	GREASE FITTING, 3/4" SAFETAP H2S GBH - PSL2
8	2	OC0016	O-RING, 2" INSERT H2S
9	1	OC0020	O-RING, 2" ADJ NUT H2S
10	2	VC0005	PLUG SEAL, 1.75" - 3" H2S (HNBR/BRASS)
11	1	VC0028-PSL2	ADJUSTING NUT, 2" H2S PSL2
12	1	VC0049S	INSERT SET, 2" H2S (SPLIT)
13	1	VC0050-PSL2	PLUG, 2" H2S PSL2
14	1	VC0061	STOP COLLAR, 1.75" - 3.00" VALVE
15	1	VC0062	HANDLE ADAPTER, 1.75" - 3.00" VALVE
16	1	VC0128-PSL2	VLV BODY, 2" x 2"LPFF H2S 5M PSL2



SECTION A-A



DETAIL B



(10 5/8")

ECN NUMBER	DESCRIPTION		
	VALVE, 2" x 2"LPFF H2S 5M PSL2		
WORKING PRESSURE:	TEMPERATURE CLASS:	DRAWN BY:	
5,000 PSI	LU	LMS	
RETAINED FLUIDS:	PR LEVEL:	DATE:	
EE-0.5	1	3/27/2015	
WEIGHT:	SHEET	PART NUMBER	REV
79 LBS.	SHEET 1 OF 1	VA0112-S-PSL2	0

CHANGE MADE
1)
2)
3)
4)
5)
6)
7)
8)



THIS DRAWING IS THE PROPERTY OF DIXIE IRON WORKS, LTD. THE BORROWER AGREES BY RECEIVING THE DRAWING TO RETURN IT UPON REQUEST AND TO NEITHER REPRODUCE COPY OR FURNISH INFORMATION FROM IT TO OTHERS WITHOUT EXPRESSED WRITTEN PERMISSION OF DIXIE IRON WORKS, LTD. ALL ARTICLES MANUFACTURED IN ACCORDANCE WITH THIS DRAWING SHALL BE CONSIDERED DESIGNS OF DIXIE IRON WORKS, LTD. AND MAY NOT BE USED OR SOLD WITHOUT DIXIE IRON WORKS, LTD. WRITTEN PERMISSION.