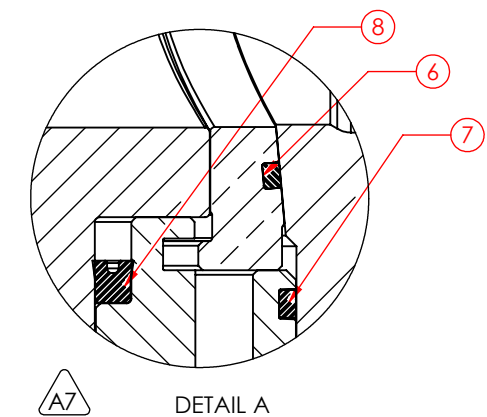
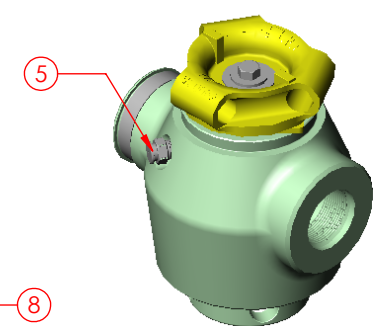
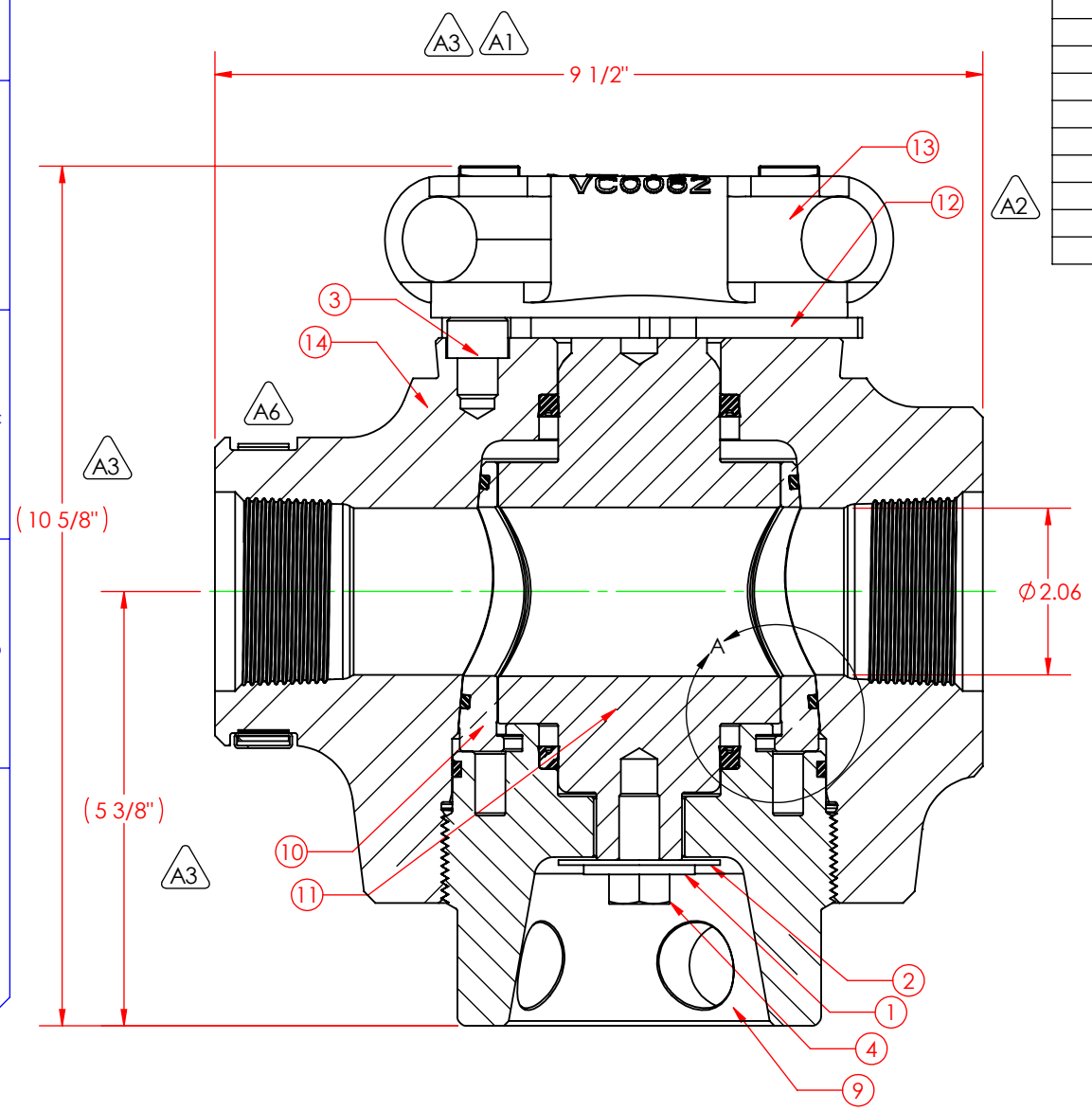


ITEM NO.	QTY.	PART NUMBER	DESCRIPTION
1	2	HC0006	FLAT WASHER, 1/2" STD
2	2	HC0007	FLAT WASHER, 1/2" FENDER (2"OD)
3	1	HC0008	SOC HD, 1/2"-13 x 0.50"
4	2	HC0009	HEX HD, 1/2"-20 x 1.00"
5	1	HC0226	GREASE FITTING, 3/4" SAFETAP H2S GBH
6	2	OC0016	O-RING, 2" INSERT H2S
7	1	OC0020	O-RING, 2" ADJ NUT H2S
8	2	VC0005	PLUG SEAL, 1.75" - 3" H2S (HNBR/BRASS)
9	1	VC0028	ADJUSTING NUT, 2" H2S
10	1	VC0049	INSERT SET, 2" H2S
11	1	VC0050	PLUG, 2" H2S
12	1	VC0061	STOP COLLAR, 1.75" - 3.00" VALVE
13	1	VC0062	HANDLE ADAPTER, 1.75" - 3.00" VALVE
14	1	VC0128	VLV BODY, 2" x 2"LPFF H2S 5M



CHANGE MADE
 1) DIM WAS 8.50; NOW 9.50
 2) UPDATED DESCRIPTIONS IN THE BOM (HC0007, VC0061, VC0062)
 3) DIMENSIONS WERE DECIMALS; NOW FRACTIONAL
 4) UPDATED DESCRIPTION 5) UPDATED SHEET
 6) DRAWING TO DEPICT VALVE WITH CURRENT ID TAG AREA
 7) ADDED DETAIL A VIEW

ECN NUMBER 4575	DESCRIPTION VALVE, 2" x 2"LPFF H2S 5M
WORKING PRESSURE: 5,000 PSI	TEMPERATURE CLASS: LU
RETAINED FLUIDS: EE-0.5	PR LEVEL: 1
WEIGHT: 79 LBS.	SHEET SHEET 1 OF 1

MSI
 300 West Main Street
 Alice, TX 78332
 www.djwmsi.com
 800.242.0059
 MSI is a division of Dixie Iron Works, Ltd.

THIS DRAWING IS THE PROPERTY OF DIXIE IRON WORKS, LTD. THE BORROWER AGREES BY RECEIVING THE DRAWING TO RETURN IT UPON REQUEST AND TO NEITHER REPRODUCE COPY OR FURNISH INFORMATION FROM IT TO OTHERS WITHOUT EXPRESSED WRITTEN PERMISSION OF DIXIE IRON WORKS, LTD. ALL ARTICLES MANUFACTURED IN ACCORDANCE WITH THIS DRAWING SHALL BE CONSIDERED DESIGNS OF DIXIE IRON WORKS, LTD. AND MAY NOT BE USED OR SOLD WITHOUT DIXIE IRON WORKS, LTD. WRITTEN PERMISSION.