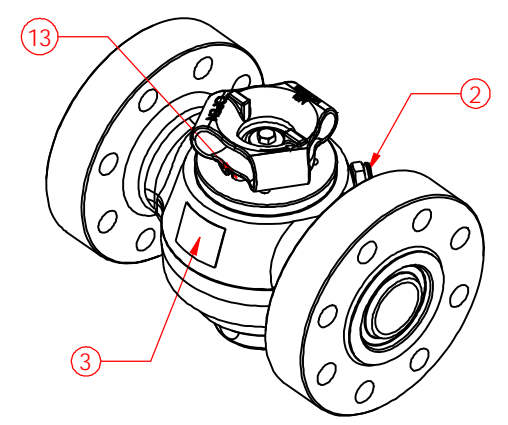


ITEM NO.	QTY.	PART NUMBER	DESCRIPTION
1	1	VC0046	VLV BODY, 1" x 2 1/16 15M H2S
2	1	HC0226	GREASE FITTING, 3/4" SAFETAP H2S GBH
3	1	VC0013	NAME TAG-VALVE (MSI/DIXIE)
4	1	VC0030	PLUG, 1" H2S
5	1	VC0048	INSERT SET, 1" H2S
6	1	VC0038	ADJUSTING NUT, 1" H2S
7	1	VC0063	HANDLE ADAPTER, 1" PLUG VALVE
8	2	VC0112	PLUG SEAL, 1" H2S (HSN/BRASS)
9	2	OC0013	O-RING, 1" INSERT H2S
10	1	OC0017	O-RING, 1" ADJ NUT H2S
11	2	HC0002	FLAT WASHER, 3/8" STD
12	2	HC0004	HEX HD, 3/8"-16 x 0.75"
13	1	HC0005	SOC HD, 3/8"-16 x 0.50"
14	2	HC0027	FLAT WASHER, 3/8" OVERSIZED
15	2	HC0003	ROLL PIN, 5/16" X 3/4" (LARGE)
16	2	HC0011	ROLL PIN, 3/16" X 11/16" (SMALL)



THIS DRAWING IS THE PROPERTY OF DIXIE IRON WORKS, LTD. THE BORROWER AGREES BY RECEIVING THE DRAWING TO RETURN IT UPON REQUEST AND TO NEITHER REPRODUCE COPY OR FURNISH INFORMATION FROM IT TO OTHERS WITHOUT EXPRESSED WRITTEN PERMISSION OF DIXIE IRON WORKS, LTD. ALL ARTICLES MANUFACTURED IN ACCORDANCE WITH THIS DRAWING SHALL BE CONSIDERED DESIGNS OF DIXIE IRON WORKS, LTD. AND MAY NOT BE USED OR SOLD WITHOUT DIXIE IRON WORKS, LTD. WRITTEN PERMISSION.

NOTES	UNSPECIFIED TOLERANCES	REVISION	CHANGE MADE	ECN NUMBER	DESCRIPTION	COMPUTER GENERATED BY
1. BREAK ALL EDGES 0.008/0.016 x 45° OR R0.008/0.016 EXCEPT THREADS. 2. ALL MACHINED CORNERS TO BE R0.031. 3. ALL DIMENSIONS ARE IN INCHES (UNLESS OTHERWISE STATED). 4. SURF START ALL ACROSS THREADS. 5. ALL DIA PINS TO BE CONCENTRIC WITH DIOS (UNLESS OTHERWISE STATED). 6. MACHINED SURFACES TO BE 125µH Ra (UNLESS OTHERWISE STATED). 7. ALL DIMENSIONS IN PARENTHESES ARE REFERENCE DIMENSIONS (X.XXX).	FRACTIONS ±1/64 DECIMALS XX ±0.015 XXX ±0.020 XXXX ±0.001 ANGLE ±1/2°	0			VALVE, 1" x 2 1/16 15M H2S MATERIAL/ HEAT TREAT/ WELD PROCEDURE SOUR SERVICE 15,000 PSI WORKING PRESSURE	DIXIE IRON WORKS 300 West Main Street Alice, Texas 78332
THIRD ANGLE PROJECTION 	DATUM INDICATING SYMBOL 	CONCENTRICITY 	ANGULARITY 	RUN OUT 	COUNTERBORE 	DRAWN BY WJT DATE 06/27/03
	POSITION 	FLATNESS 	PERPENDICULARITY 	PARALLELISM 	COUNTERSINK 	WEIGHT 121 LBS. SHEET SHEET 1 OF 1 PART NUMBER VA0121 REV 0