

ITEM NO.	QTY.	PART NUMBER	DESCRIPTION
1	1	AA0064	ACTUATOR BARE, DAMCOS BRC4000 (DOUBLE ACTING)
2	1	HC0006	FLAT WASHER, 1/2" STD
3	1	HC0007	FLAT WASHER, 1/2" FENDER (2"OD)
4	1	HC0009	HEX HD, 1/2"-20 x 1.00"
5	4	HC0048	LOCK WASHER, 5/8" HIGH COLLAR
6	2	HC0226	GREASE FITTING, 3/4" SAFETAP H2S GBH
7	4	HC0359	SOC HD, 5/8"-11 x 1.50"
8	4	HC0415	SOC HD, M8 x 1.25 - 18mm LONG
9	1	OC0047	O-RING, 4" ADJ NUT STD
10	2	OC0048	O-RING, 4" INSERT STD
11	2	OC0078	O-RING, 2-210 BUNA 90
12	1	VC0013	NAME TAG- VALVE (MSI/DIXIE)
13	1	VC0310	PLUG, 4" STD
14	1	VC0311	INSERT SET, 4" STD
15	1	VC0312	ADJUSTING NUT, 4" H2S
16	2	VC0313	PLUG SEAL, 4" STD (BUNA/BRASS)
17	1	VC0443	VLV BODY, 4" x 4 1/16 15M STD
18	1	VC0635	ACT ADAPTER, BRC4000 FOR 2.5"LT,3"LT,4"LT
19	1	VC0676	ACT MOUNTING PLATE, BRC4000-4"LT
20	1	VC0700	ACT ADAPTER BLOCK, G1/4 TO 1/2NPT

A

B

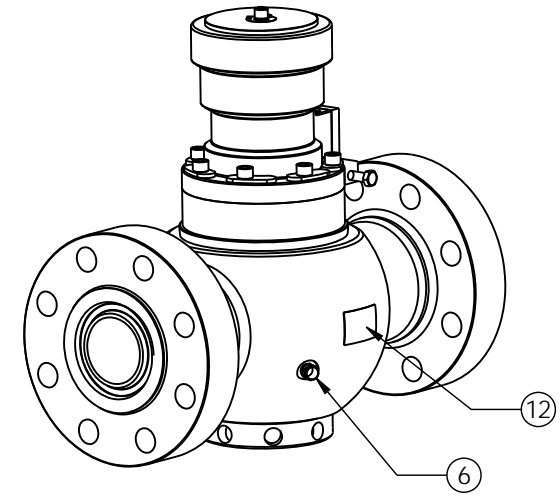
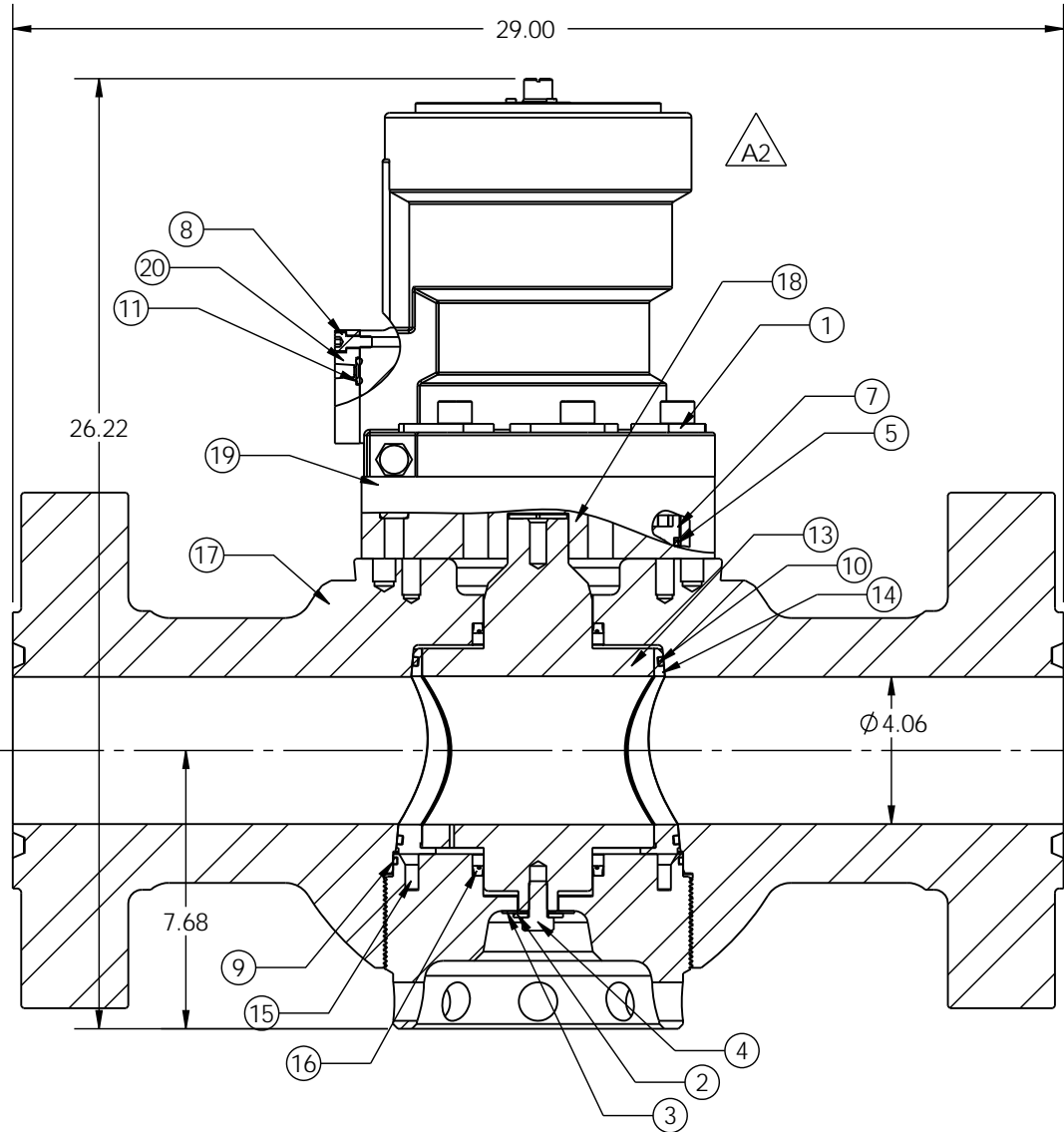
C



D

E

F

G



<p>THIS DRAWING IS THE PROPERTY OF DIXIE IRON WORKS, LTD. THE BORROWER AGREES BY RECEIVING THE DRAWING TO RETURN IT UPON REQUEST AND TO NEITHER REPRODUCE COPY OR FURNISH INFORMATION FROM IT TO OTHERS WITHOUT EXPRESSED WRITTEN PERMISSION OF DIXIE IRON WORKS, LTD. ALL ARTICLES MANUFACTURED IN ACCORDANCE WITH THIS DRAWING SHALL BE CONSIDERED DESIGNS OF DIXIE IRON WORKS, LTD. AND MAY NOT BE USED OR SOLD WITHOUT DIXIE IRON WORKS, LTD. WRITTEN PERMISSION.</p>	<p>CHANGE MADE</p> <p>1) UPDATED SHEET FORMATE TO MSI 2) UPDATED TO NEW ACTUATOR 05/02/2008 RMR</p>	<p>ECN NUMBER</p> <p>3492</p>	<p>DESCRIPTION</p> <p>VALVE, 4" x 4 1/16 15M STD (ACTUATED)</p>	 <p>300 West Main Street Alice, TX 78332</p> <p>www.dlwmisi.com 800.242.0059</p> <p><small>MSI is a division of Dixie Iron Works, Ltd.</small></p>
	<p>MATERIAL/HEAT TREAT/ WELD PROCEDURE</p> <p>STANDARD SERVICE</p> <p>15,000 PSI WORKING PRESSURE</p>	<p>DRAWN BY</p> <p>WJT</p>		
	<p>THIRD ANGLE PROJECTION</p> 	<p>DATE</p> <p>07/24/03</p>		
	<p>WEIGHT</p> <p>839 lbs</p>	<p>SHEET</p> <p>SHEET 1 OF 1</p>	<p>PART NUMBER</p> <p>VA0387</p>	

A1