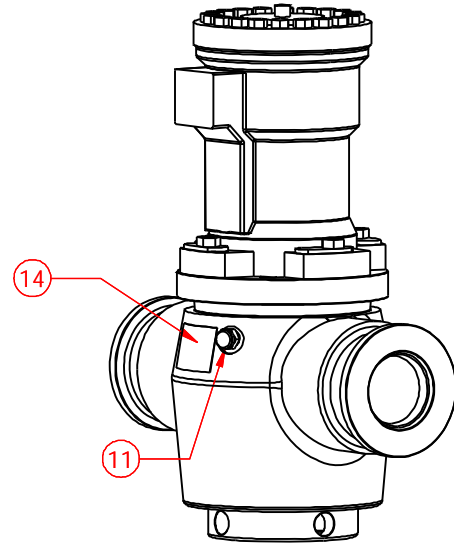
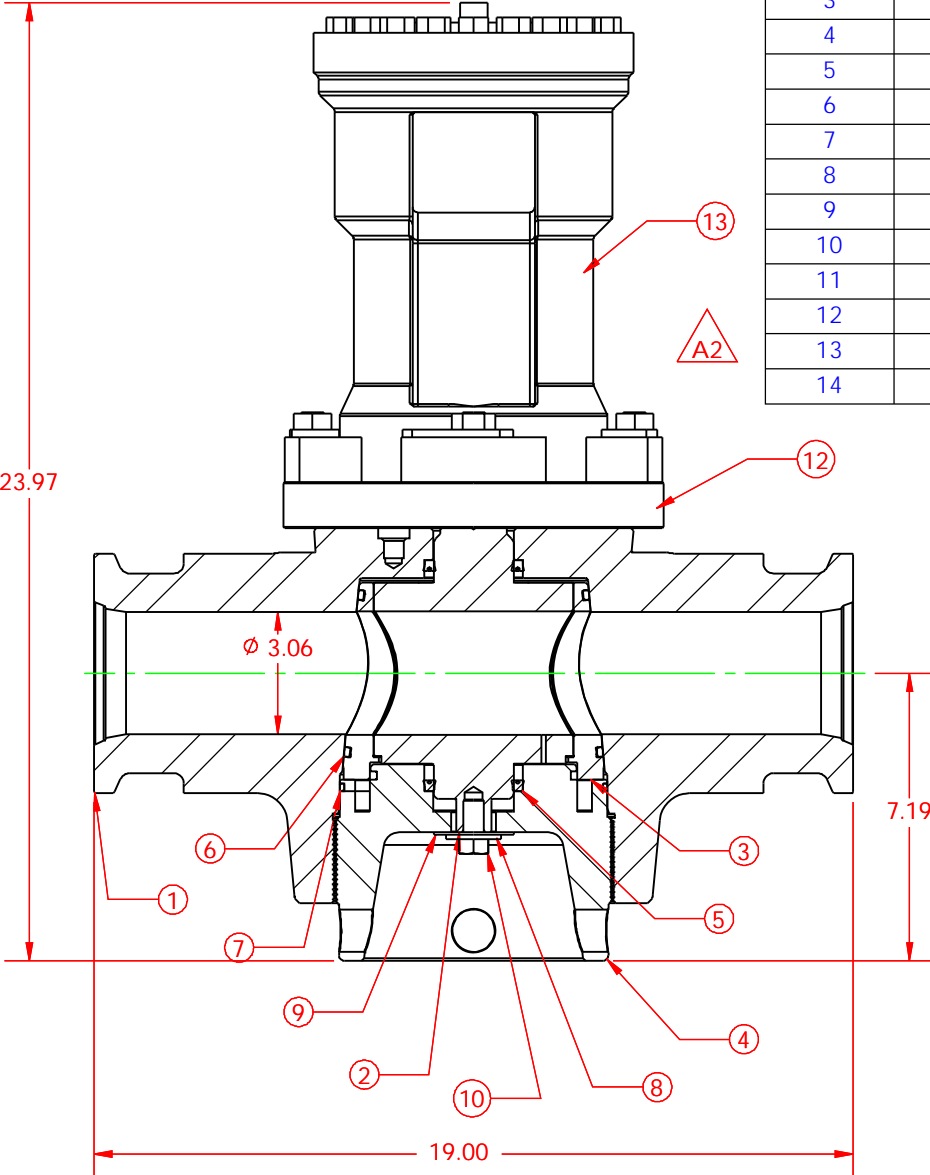


| ITEM NO. | QTY. | PART NUMBER | DESCRIPTION |
|----------|------|--------------------|---|
| 1 | 1 | VC0401-OA0184-PSL3 | VLV BODY, 3" x 4"GR31 15M STD PSL3 *ACT |
| 2 | 1 | VC0056-PSL3 | PLUG, 3" STD (HEX) PSL3 |
| 3 | 1 | VC0068-PSL3 | INSERT SET, 3" STD PSL3 |
| 4 | 1 | VC0029-PSL3 | ADJUSTING NUT, 3" H2S 15M -PSL3 |
| 5 | 2 | VC0060 | PLUG SEAL, 2" STD (BUNA/BRASS) |
| 6 | 2 | OC0001 | O-RING, 3" INSERT STD |
| 7 | 1 | OC0003 | O-RING, 3" ADJ NUT STD |
| 8 | 1 | HC0006 | FLAT WASHER, 1/2" STD |
| 9 | 1 | HC0007 | FLAT WASHER, 1/2" OVERSIZED |
| 10 | 1 | HC0009 | HEX HD, 1/2"-20 x 1.00" |
| 11 | 1 | HC0226-PSL3 | GREASE FITTING, 3/4" SAFETAP H2S GBH - PSL3 |
| 12 | 1 | AA0017MB | ACT MOUNTING, BRC032 LARGE HEX (3"VLV) |
| 13 | 1 | AA0017 | ACTUATOR, DANFOSS BRC032 (DOUBLE ACTING) |
| 14 | 1 | VC0013 | NAME TAG - VALVE (MSI/DIXIE) |



A1

THIS DRAWING IS THE PROPERTY OF DIXIE IRON WORKS, LTD. THE BORROWER AGREES BY RECEIVING THE DRAWING TO RETURN IT UPON REQUEST AND TO NEITHER REPRODUCE COPY OR FURNISH INFORMATION FROM IT TO OTHERS WITHOUT EXPRESSED WRITTEN PERMISSION OF DIXIE IRON WORKS, LTD. ALL ARTICLES MANUFACTURED IN ACCORDANCE WITH THIS DRAWING SHALL BE CONSIDERED DESIGNS OF DIXIE IRON WORKS, LTD. AND MAY NOT BE USED OR SOLD WITHOUT DIXIE IRON WORKS, LTD. WRITTEN PERMISSION.

NOTES
 1. BREAK ALL EDGES TO 0.0625" R164 45° DR
 2. ALL DIMENSIONS UNLESS OTHERWISE SPECIFIED ARE IN INCHES
 3. ALL DIMENSIONS ARE IN INCHES UNLESS OTHERWISE SPECIFIED
 4. SURF FINISH SHALL BE AS SPECIFIED
 5. ALL DIMENSIONS TO BE CONFORMING TO THE 2009 ASME Y14.5 UNLESS OTHERWISE SPECIFIED
 6. ALL DIMENSIONS IN PARENTHESES ARE REFERENCE DIMENSIONS UNLESS OTHERWISE SPECIFIED
 7. ALL DIMENSIONS IN PARENTHESES ARE REFERENCE DIMENSIONS UNLESS OTHERWISE SPECIFIED
 8. ALL DIMENSIONS IN PARENTHESES ARE REFERENCE DIMENSIONS UNLESS OTHERWISE SPECIFIED
 9. ALL DIMENSIONS IN PARENTHESES ARE REFERENCE DIMENSIONS UNLESS OTHERWISE SPECIFIED
 10. ALL DIMENSIONS IN PARENTHESES ARE REFERENCE DIMENSIONS UNLESS OTHERWISE SPECIFIED
 11. ALL DIMENSIONS IN PARENTHESES ARE REFERENCE DIMENSIONS UNLESS OTHERWISE SPECIFIED
 12. ALL DIMENSIONS IN PARENTHESES ARE REFERENCE DIMENSIONS UNLESS OTHERWISE SPECIFIED
 13. ALL DIMENSIONS IN PARENTHESES ARE REFERENCE DIMENSIONS UNLESS OTHERWISE SPECIFIED

UNSPECIFIED TOLERANCES
 FRACTIONS ±1/64
 DECIMALS .005
 ANGLES ±10°

REVISION
 A

CHANGE MADE
 CHANGES INCLUDE:
 1) REDRAWN USING SOLIDWORKS
 2) CORRECTED ACTUATOR: WAS AA0030B, NOW AA0017
 8/13/04 HAHII

ECN NUMBER
 2431

DESCRIPTION
 VALVE,
 3" x 4" GR31 15M STD (ACTUATED) PSL3

MATERIAL/HEAT TREAT/WELD PROCEDURE
 STANDARD SERVICE
 15,000 WORKING PRESSURE

WEIGHT 351.112 lbs.
SHEET SHEET 1 OF 1

DRAWN BY HAHII
DATE 08/03/04
PART NUMBER VA0535-PSL3

300 West Main Street
 Alice, TX 78332
 www.djwmsi.com
 800.242.0059
 MSI is a division of Dixie Iron Works, Ltd.