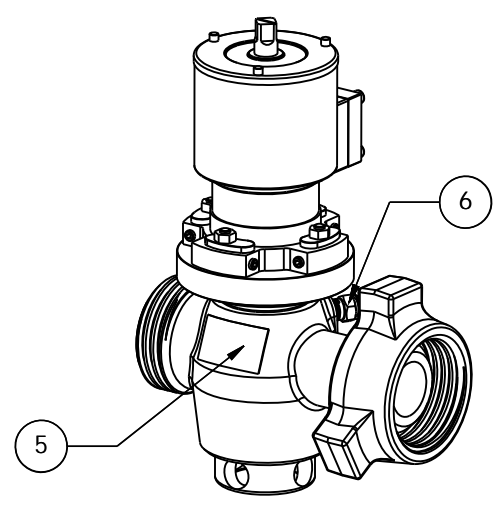


ITEM NO.	QTY.	PART NUMBER	DESCRIPTION
1	1	VC0009-OA0209-PSL3	VLV BODY, 1" x 2"1502 H2S 10M *ACT PSL3
2	1	UC0131-PSL3	WINGNUT, 2"1502 H2S PSL3
3	1	UC0003-PSL3	NUT RETAINER SET, 2"1502 PSL3
4	1	UC0004	SPIRAL RETAINER RING, 2"1502
5	1	VC0013	NAME TAG - VALVE (MSI/DIXIE)
6	1	HC0226-PSL3	GREASE FITTING, 3/4" SAFETAP H2S GBH - PSL3
7	1	UC0012	RESILIENT SEAL, 2"1502 H2S (HSN)
8	1	AA0001MAX	ACT MOUNTING, BRC012 SMALL HEX (2.75"B.C.)
9	1	HC0117	SOC HD, 3/8"-16 x 1.00"
10	1	AA0001	ACTUATOR, DANFOSS BRC012 (DOUBLE ACTING)
11	1	VC0030-PSL3	PLUG, 1" H2S PSL3
12	1	VC0048-PSL3	INSERT SET, 1" H2S PSL3
13	1	VC0038-PSL3	ADJUSTING NUT, 1" H2S PSL3
14	2	VC0112	PLUG SEAL, 1" H2S (HSN/BRASS)
15	2	OC0013	O-RING, 1" INSERT H2S
16	1	OC0017	O-RING, 1" ADJ NUT H2S
17	1	HC0002	FLAT WASHER, 3/8" STD
18	1	HC0004	HEX HD, 3/8"-16 x 0.75"
19	1	HC0027	FLAT WASHER, 3/8" OVERSIZED



THIS DRAWING IS THE PROPERTY OF DIXIE IRON WORKS, LTD. THE BORROWER AGREES BY RECEIVING THE DRAWING TO RETURN IT UPON REQUEST AND TO NEITHER REPRODUCE COPY OR FURNISH INFORMATION FROM IT TO OTHERS WITHOUT EXPRESSED WRITTEN PERMISSION OF DIXIE IRON WORKS, LTD. ALL ARTICLES MANUFACTURED IN ACCORDANCE WITH THIS DRAWING SHALL BE CONSIDERED DESIGNS OF DIXIE IRON WORKS, LTD. AND MAY NOT BE USED OR SOLD WITHOUT DIXIE IRON WORKS, LTD. WRITTEN PERMISSION.

NOTES  
 1. BREAK ALL EDGES 0.008/0.016 x 45° OR RD 0.008/0.016 EXCEPT THREADES.  
 2. ALL MACHINED CORNER RADI TO BE RD 0.031.  
 3. ALL DIMENSIONS ARE IN INCHES (UNLESS OTHERWISE STATED).  
 4. BLIND START ALL ACME THREADS.  
 5. ALL DIAMETERS TO BE CONCENTRIC WITHIN 0.002" (UNLESS OTHERWISE STATED).  
 6. MACHINED SURFACES TO BE 125µin Ra (UNLESS OTHERWISE STATED).  
 7. ALL DIMENSIONS IN PARENTHESIS ARE REFERENCE DIMENSIONS (Ø, XXX).  
 8. % DENOTES SYMMETRY BETWEEN FEATURES, ABC/DXVS, UNLESS NOTED OTHERWISE.

THIRD ANGLE PROJECTION

UNSPECIFIED TOLERANCES	REVISION	CHANGE MADE	ECN NUMBER
FRACTIONS ±1/64 DECIMALS .XX ±0.015 XXX ±0.005 XXXX ±0.001 ANGLE ±1/2°	0		

DATUM INDICATING SYMBOL	CONCENTRICITY	ANGULARITY	RUNOUT	COUNTERBORE
POSITION	FLATNESS	PERPENDICULARITY	PARALLELISM	COUNTERSINK

DESCRIPTION	ECN NUMBER
VALVE, 1" x 2"1502 H2S 10M (ACTUATED) PSL3	
MATERIAL / HEAT TREAT / WELD PROCEDURE H2S SERVICE 10,000 LBS WORKING PRESSURE	
WEIGHT 90.011 LBS.	SHEET SHEET 1 OF 1

**MSI**

300 West Main Street  
 Alice, TX 78332  
 www.diwmsi.com  
 800.242.0059

MSI is a division of Dixie Iron Works, Ltd.

DRAWN BY: HAHII  
 DATE: 1/28/05  
 PART NUMBER: VA0547-PSL3  
 REV: 0