

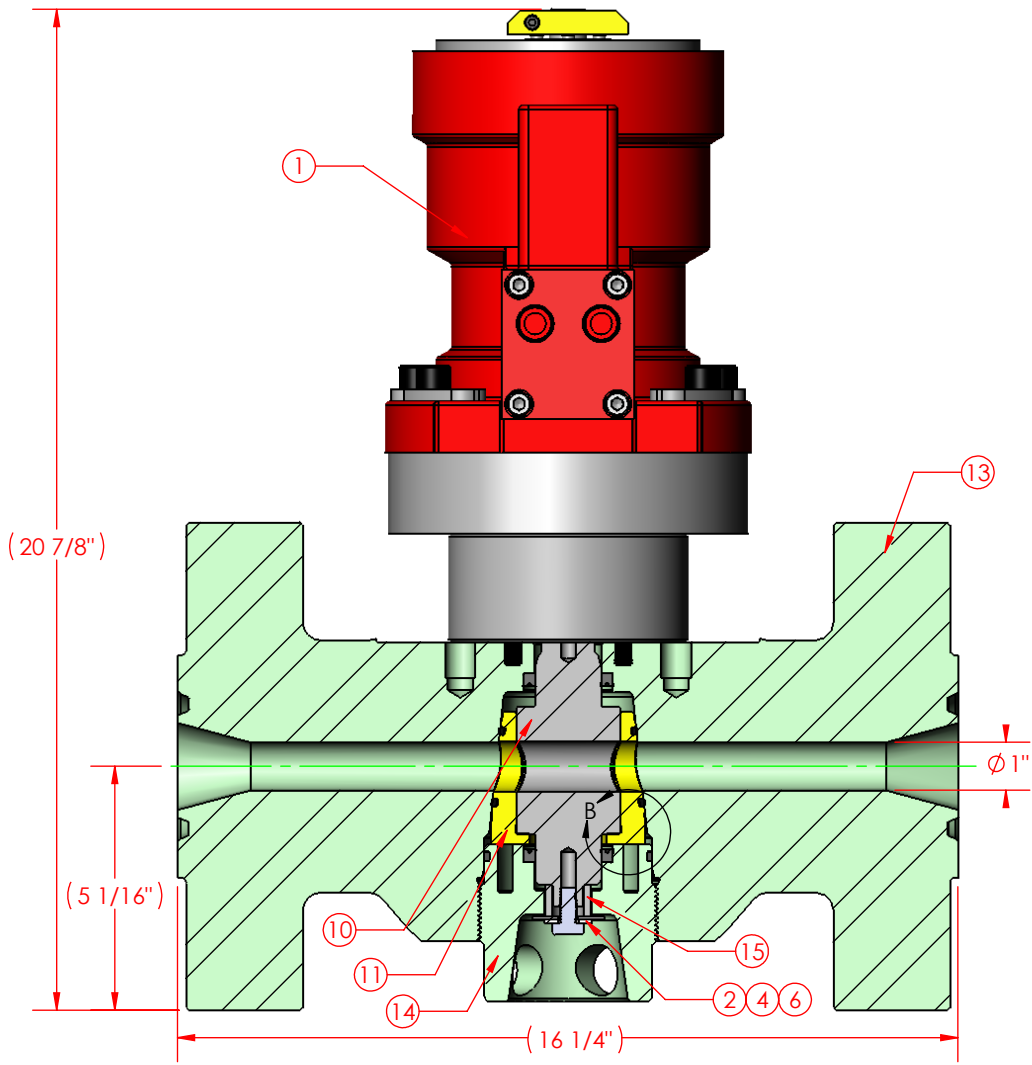
NOTE:
REFER TO AA0063-1LTF DRAWING FOR ACTUATOR BOM A6

A1

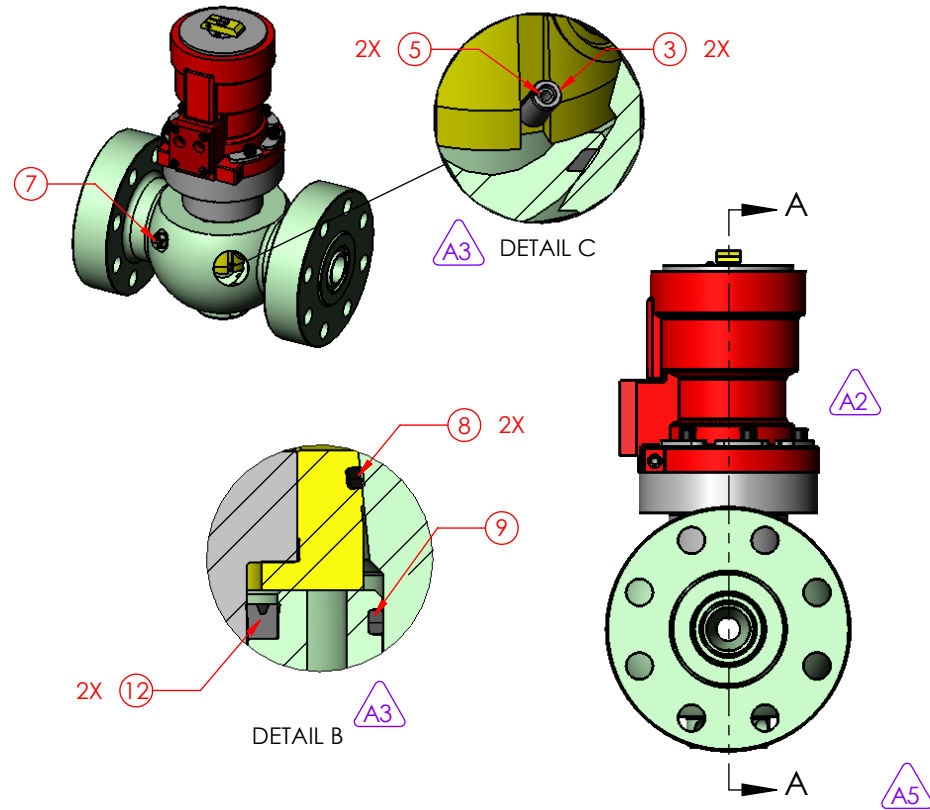
A4

A4

ITEM NO.	QTY	PART NUMBER	DESCRIPTION
1	1	AA0063-1LTF	ACT ASSY, DAMCOS BRC2000 1"LT FLANGE VALVE
2	1	HC0002	FLAT WASHER, 3/8" STD
3	2	HC0003	ROLL PIN, 5/16" X 3/4" (LARGE)
4	1	HC0004	HEX HD, 3/8"-16 x 0.75"
5	2	HC0011	ROLL PIN, 3/16" X 11/16" (SMALL)
6	1	HC0027	FLAT WASHER, 3/8" OVERSIZED (REGULAR)
7	1	HC0226-PSL3	GREASE FITTING, 3/4" SAFETAP H2S GBH - PSL3
8	2	OC0013	O-RING, 1" INSERT H2S (2-219)
9	1	OC0017	O-RING, 1" ADJ NUT H2S (2-236)
10	1	VC0030-PSL3	PLUG, 1" H2S PSL3
11	1	VC0048-PSL3	INSERT SET, 1" H2S PSL3
12	2	VC0112	PLUG SEAL, 0.38" - 1.31" H2S (HNBR/BRASS)
13	1	VC0593-PSL3	VLV BODY, 1" x 1-13/16" 20M H2S PSL3
14	1	VC0595-PSL3	ADJUSTING NUT, 1" H2S 20M PSL3
15	1	VC0596	PLUG SPACER, 1" 20M



SECTION A-A



ECN NUMBER	DESCRIPTION
5437	VALVE, 1" x 1 13/16 20M H2S PSL3 (ACTUATED)
WORKING PRESSURE:	TEMPERATURE CLASS:
20,000 PSI	LU
RETAINED FLUIDS:	PR LEVEL:
EE-0.5	1
WEIGHT:	SHEET:
354 lbs.	1
	PART NUMBER:
	VA0686-PSL3

- CHANGE MADE REVISED BY ADL DATE 4/03/15
- 1) REPLACED AA0004 AND HARDWARE WITH AA0063-1LTF
 - 2) ADD PARENT VIEW
 - 3) ADD DETAIL VIEWS B AND C
 - 4) ADD HC0003 AND HC0011 ROLL PINS TO BOM
 - 5) UPDATED DRAWING TEMPLATE
 - 6) ADD ACTUATOR REFERENCE DRAWING NOTE
 - 7)
 - 8)

MSI
300 WEST MAIN ST.
ALICE, TX 78332
www.diwmsi.com
800.242.0059
MSI IS A DIVISION OF DIXIE IRON WORKS, LTD.

THIS DRAWING IS THE PROPERTY OF DIXIE IRON WORKS, LTD. THE BORROWER AGREES BY RECEIVING THE DRAWING TO RETURN IT UPON REQUEST AND TO NEITHER REPRODUCE COPY OR FURNISH INFORMATION FROM IT TO OTHERS WITHOUT EXPRESSED WRITTEN PERMISSION OF DIXIE IRON WORKS, LTD. ALL ARTICLES MANUFACTURED IN ACCORDANCE WITH THIS DRAWING SHALL BE CONSIDERED DESIGNS OF DIXIE IRON WORKS, LTD. AND MAY NOT BE USED OR SOLD WITHOUT DIXIE IRON WORKS, LTD. WRITTEN PERMISSION.