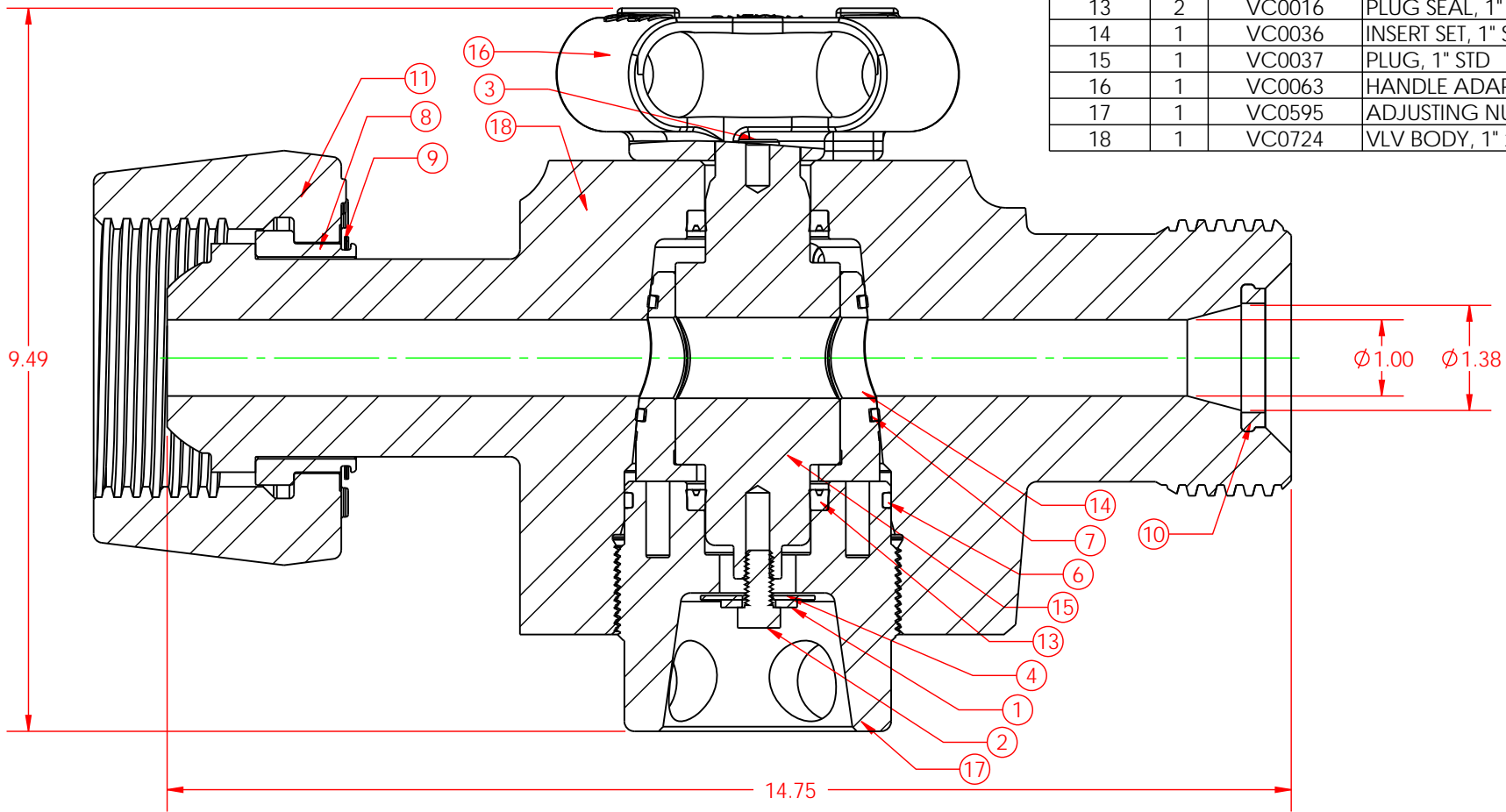
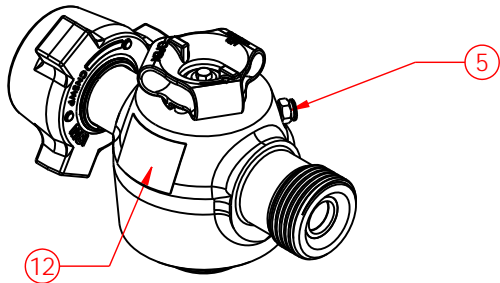


ITEM NO.	QTY.	PART NUMBER	DESCRIPTION
1	2	HC0002	FLAT WASHER, 3/8" STD
2	2	HC0004	HEX HD, 3/8"-16 x 0.75"
3	1	HC0005	SOC HD, 3/8"-16 x 0.50"
4	2	HC0027	FLAT WASHER, 3/8" OVERSIZED (REGULAR)
5	1	HC0226	GREASE FITTING, 3/4" SAFETAP H2S GBH
6	1	OC0005	O-RING, 1" ADJ NUT STD (2-236 BUNA 90)
7	2	OC0006	O-RING, 1" INSERT STD (2-219 BUNA 90)
8	1	UC0018	NUT RETAINER SET, 2"2202
9	1	UC0019	SPIRAL RETAINER RING, 2"2202
10	1	UC0020	RESILIENT SEAL, 2"2202 H2S (HSN/SS)
11	1	UC0088	WINGNUT, 2"2002 STD
12	1	VC0013	NAME TAG-VALVE (MSI/DIXIE)
13	2	VC0016	PLUG SEAL, 1" STD (BUNA/BRASS)
14	1	VC0036	INSERT SET, 1" STD
15	1	VC0037	PLUG, 1" STD
16	1	VC0063	HANDLE ADAPTER, 1"
17	1	VC0595	ADJUSTING NUT, 1" 20M H2S
18	1	VC0724	VLV BODY, 1" x 2"2002 STD 20M



<p>THIS DRAWING IS THE PROPERTY OF DIXIE IRON WORKS, LTD. THE BORROWER AGREES BY RECEIVING THE DRAWING TO RETURN IT UPON REQUEST AND TO NEITHER REPRODUCE COPY OR FURNISH INFORMATION FROM IT TO OTHERS WITHOUT EXPRESSED WRITTEN PERMISSION OF DIXIE IRON WORKS, LTD. ALL ARTICLES MANUFACTURED IN ACCORDANCE WITH THIS DRAWING SHALL BE CONSIDERED DESIGNS OF DIXIE IRON WORKS, LTD. AND MAY NOT BE USED OR SOLD WITHOUT DIXIE IRON WORKS, LTD. WRITTEN PERMISSION.</p>	CHANGE MADE	ECN NUMBER	DESCRIPTION	<p>300 West Main Street Alice, TX 78332 www.dlwmsi.com 800.242.0059 <small>MSI is a division of Dixie Iron Works, Ltd.</small></p>	
			VALVE, 1" x 2"2002 STD 20M		
			MATERIAL/HEAT TREAT/WELD PROCEDURE STANDARD SERVICE 20,000 PSI WORKING PRESSURE		DRAWN BY RSE DATE 09/15/2009
			WEIGHT 91 lbs.		SHEET SHEET 1 OF 1 PART NUMBER VA0807

