



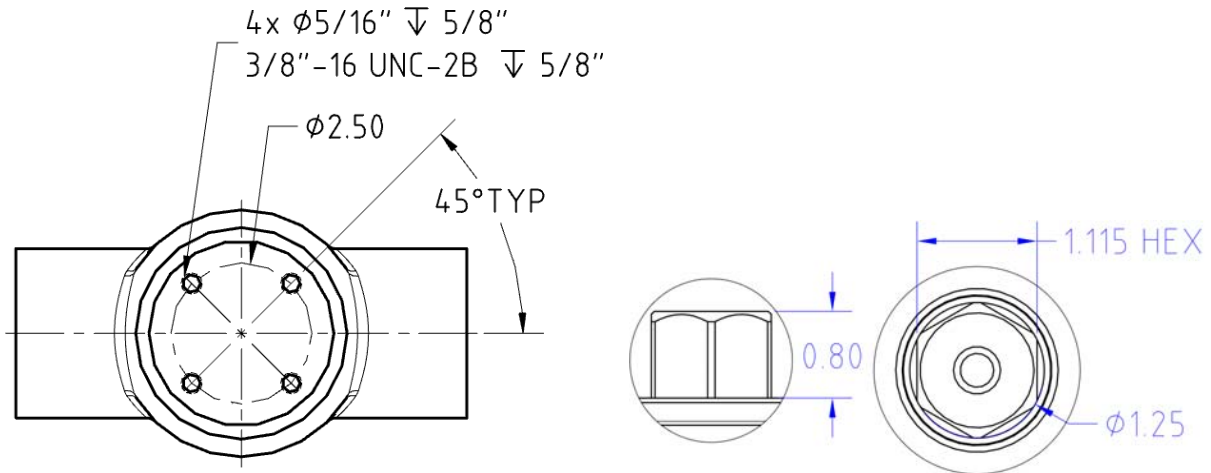
Valve Actuator Standardize Patterns

MSI Technical Bulletin 082

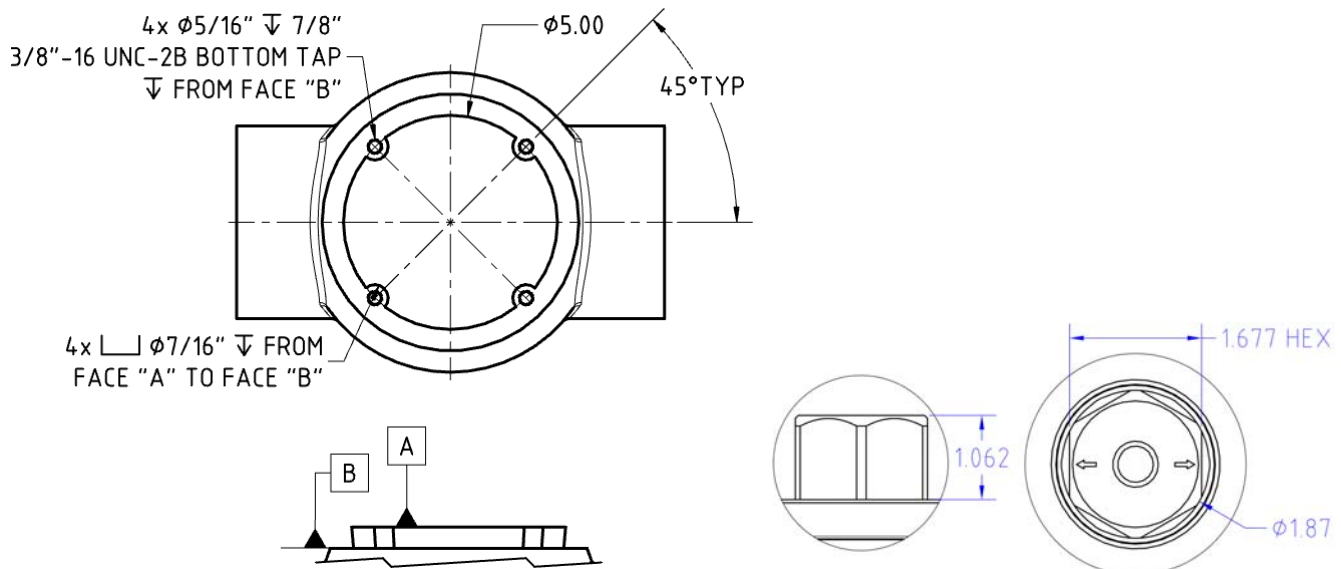
Subject: Standard actuator patterns for various sizes of LT valves.

The following are the standardized patterns for actuation on MSI LT style valves. These are the default patterns tapped on every valve, including non actuated valves. Legacy patterns may still be available. Some are compatible with standardized patterns so they can just be added. Others may be offered in lieu of the standardized pattern. Please contact MSI for information.

1" LT Valve

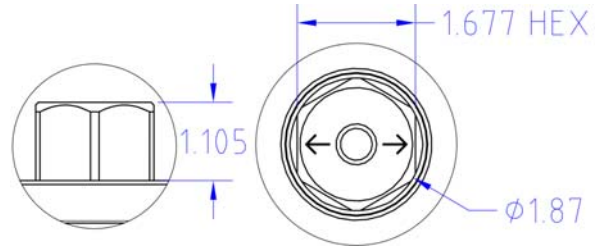
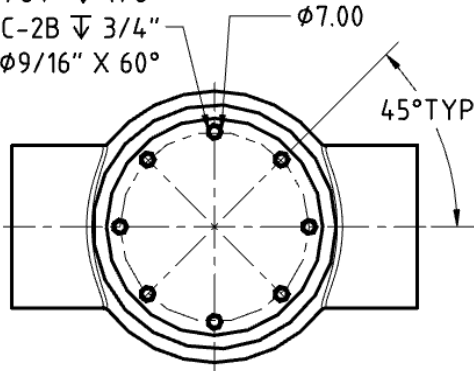


2" LT Valve

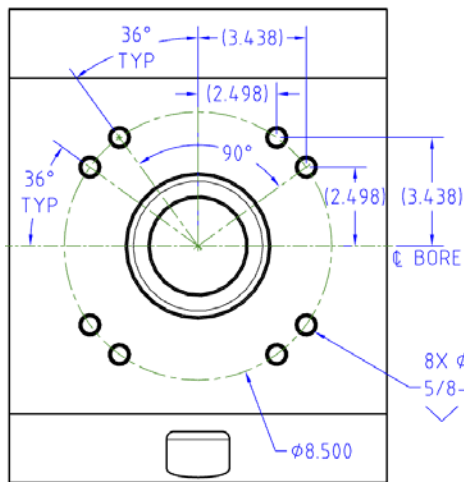


3" LT Valve

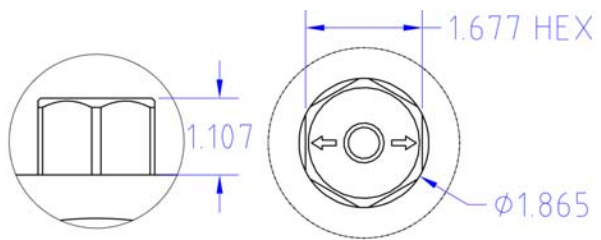
8x $\phi 27/64$ " $\nabla 7/8$ "
 $1/2$ "-13 UNC-2B $\nabla 3/4$ "
 $\sphericalangle \phi 9/16$ " X 60°



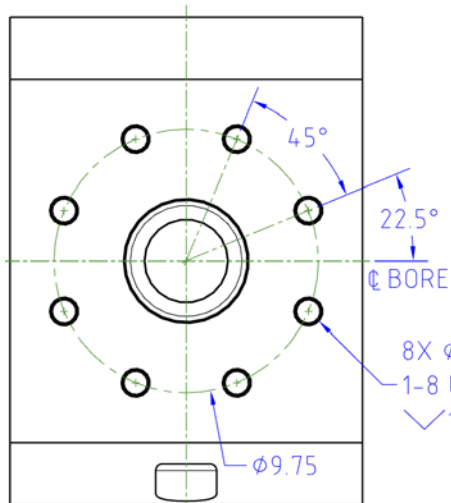
4" LT Valve



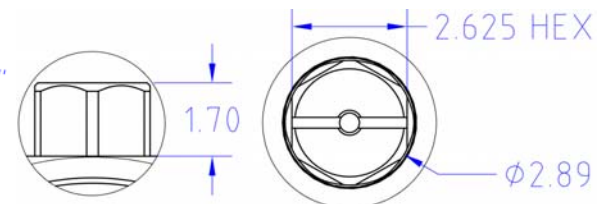
8X $\phi 17/32$ " $\nabla 1 1/4$ "
 $5/8$ -11 UNC - 2B $\nabla 7/8$ "
 $\sphericalangle \phi 11/16$ " X 60°



5" LT Valve



8X $\phi 7/8$ " $\nabla 1 5/8$ "
 1 -8 UNC - 2B $\nabla 1 1/8$ "
 $\sphericalangle 1 1/16$ " X 60°



You may contact an MSI representative at sales@diwmsi.com or engineering@diwmsi.com for additional information.

MSI is a division of Dixie Iron Works, Ltd
 300 W. Main St.
 Alice, Texas 78332, USA
 Phone: 800-242-0059
www.diwmsi.com