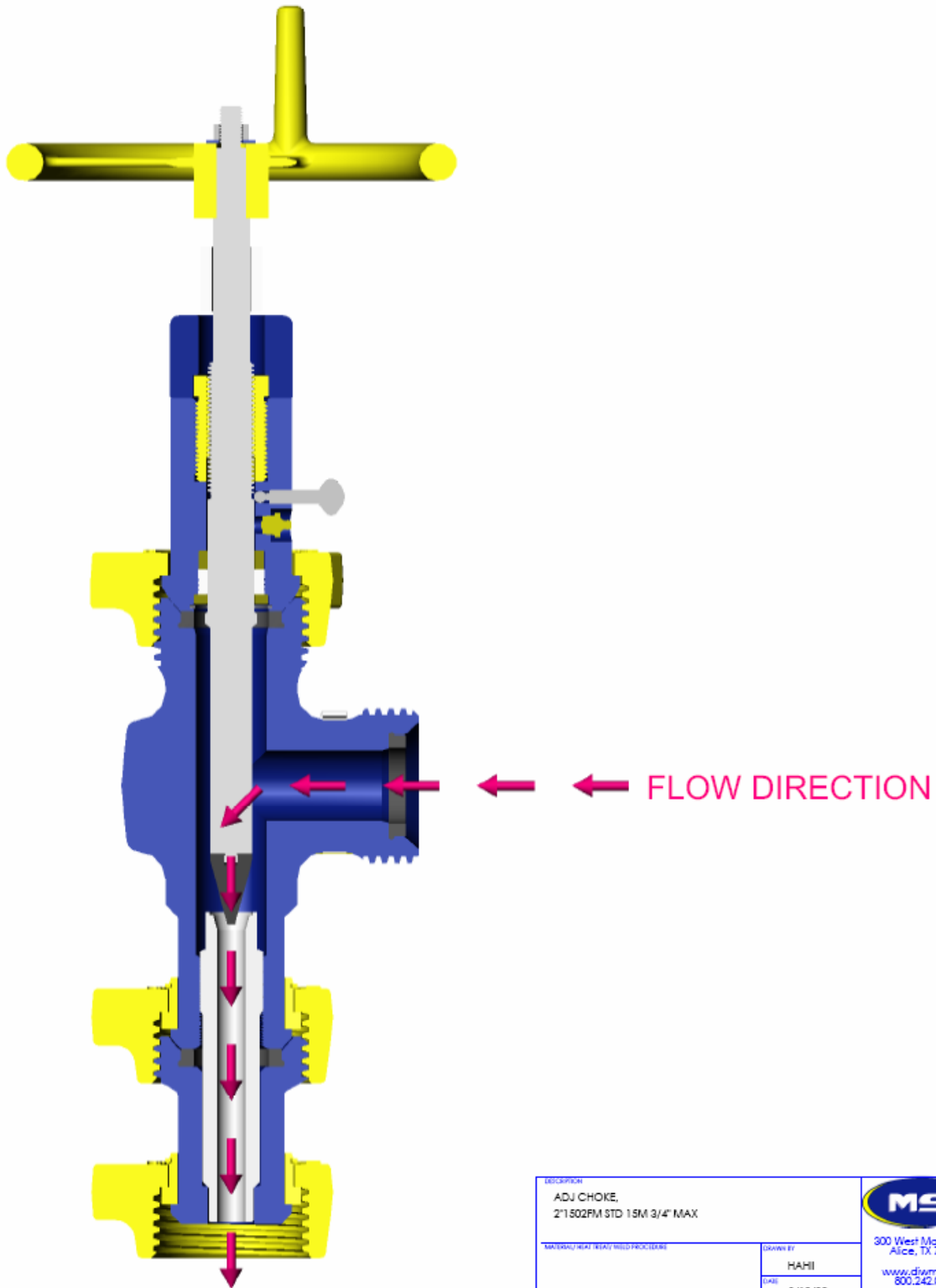


Flow Design for Adjustable Chokes

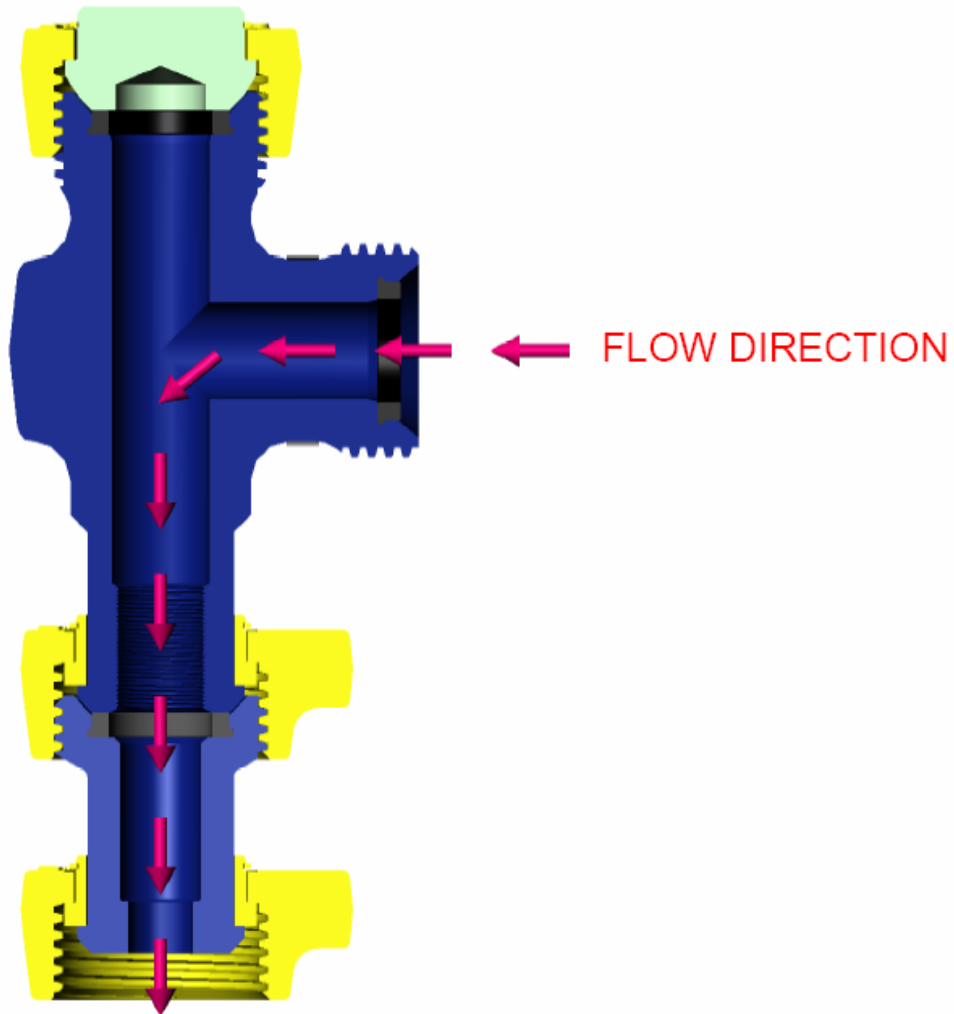
Adjustable chokes are designed to direct flow away from the bonnet.



DESCRIPTION ADJ CHOKE, 2"1502PM STD 15M 3/4" MAX		 300 West Main Street Alicia, TX 78332	
MANUAL SEAT READY BOND PROCEDURE		DRAWN BY HAHI	www.dvwmsi.com 800.242.0059
		DATE 3/19/02	
WEIGHT 106.17 lbs.	SHEET SHEET 1 OF 1	PART NUMBER CA_0020_0021 (MANUAL)	REV 0

Flow design for Positive Chokes

Positive chokes are designed to direct flow away from the cap or blanking plug, of positive chokes.



DESCRIPTION POS CHOKE, 2"1502PM STD 15M PSL3		 300 West Main Street Alice, TX 78332 www.djwmsi.com 800.242.0059 <small>MSI IS A DIVISION OF ECKHART PUMPS, LLC</small>
MATERIALS/HEAT TREAT/PROCESS/FINISH STANDARD SERVICE 15,000 WORKING PRESSURE	DESIGNED BY HAMI	
WEIGHT 38 lbs.	DATE 3/20/06	
SHEET SHEET 1 OF 1	PART NUMBER CA_0023_0022	REV 0